



MASTER VALUE LED spot LV

MASTER LED 4.9-50W 2700K MR16 24D

LEDspot, MR16, 50 W, GU5.3, 2700 K, 415 lm, 25000 hour(s), Metal

Philips MASTER VALUE MR16 is the series of Low Voltage (12VAC) Halogen MR16 replacements. Not only does it employ Philips' patented solution to guarantee the broadest possible compatibility with standard 12V Halogen electronic transformers. It also delivers beam intensity which is equivalent to the 50W Philips Halogen MR16 lamps. The form-factor of Philips MASTER Value LED MR16 guarantees a 100% form on the back-side of the lamp (exact form with Halogen lamps.)

Warnings and Safety

- Operating temperature range is between -20° C and 45° C ambient
- Only to apply in dry or damp locations and most of open fixtures with lamp-holders that offer sufficient space (10 mm free air space)
- Not intended for use with emergency light fixtures or exit lights

Product data

General Information			
Cap-Base	GU5.3	Luminous Flux	415 lm
Nominal lifetime	25,000 hour(s)	Luminous Intensity (Nom)	1,600 cd
Switching Cycle	50,000	Color Designation	Warm White (WW)
Lighting Technology	LEDspot	Correlated Color Temperature (Nom)	2700 K
		Luminous Efficacy (rated) (Nom)	84 lm/W
		Color Consistency	<6
		Color rendering index (CRI)	90
		LLMF At End Of Nominal Lifetime (Nom)	70 %
Light Technical			
Color Code	927 [CCT of 2700K]		
Beam Angle (Nom)	24 degree(s)		

MASTER VALUE LED spot LV

Photobiological safety according to EN 62471 RG1

Operating and Electrical

Input Frequency	- Hz
Power Consumption	4.9 W
Lamp Current (Nom)	484 mA
Wattage Equivalent	50 W
Starting Time (Nom)	0.5 s
Warm-up time to 60% light	0.5 s
Power Factor (Fraction)	0.7
Voltage (Nom)	ac electronic 12 V

Temperature

T-Case Maximum (Nom)	72 °C
----------------------	-------

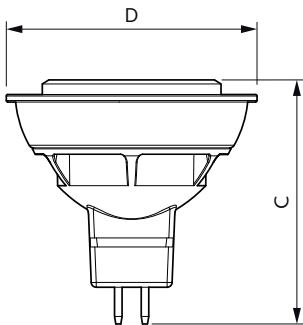
Controls and Dimming

Dimmable	No
----------	----

Mechanical and Housing

Bulb Finish	Clear
Bulb Material	Metal
Bulb Shape	MR16

Dimensional drawing



Net Weight (Piece) 0.037 kg

Approval and Application

Suitable For Accent Lighting	Yes
EU RoHS compliant	Yes
Ambient temperature range	-20 to +45 °C

Application Conditions

Wireless Technology	Not applicable
---------------------	----------------

Product Data

Order product name	MASTER LED 4.9-50W 2700K MR16 24D	
Full product name	MASTER LED 4.9-50W 2700K MR16 24D	
Full product code	694783049924300	
Order code	929003610610	
Material Nr. (12NC)	929003610610	
Numerator - Quantity Per Pack	1	
EAN/UPC - Product/Case	6947830499243	
Numerator - Packs per outer box	10	
EAN/UPC - Case	6947830499250	

Product	D	C
MASTER LED 4.9-50W 2700K MR16 24D	50.5 mm	50 mm

MASTER VALUE LED spot LV

