



# MASTER VALUE LED spot LV

## MASTER LED 4.9-50W 2700K MR16 24D

LEDspot, MR16, 50 W, GU5.3, 2700 K, 415 lm, 25000 hour(s), Metal

LEDspot, MR16, 50 W, GU5.3, 2700 K, 415 lm, 25000 hour(s), Metal, 84 lm/W, RG1

### Warnings and Safety

- Operating temperature range is between -20° C and 45° C ambient
- Only to apply in dry or damp locations and most of open fixtures with lamp-holders that offer sufficient space (10 mm free air space)
- Not intended for use with emergency light fixtures or exit lights

### Product data

General Information	
Cap-Base	GU5.3
Nominal lifetime	25,000 hour(s)
Switching Cycle	50,000
Lighting Technology	LEDspot

Light Technical	
Color Code	927 [CCT of 2700K]
Beam Angle (Nom)	24 degree(s)
Luminous Flux	415 lm
Luminous Intensity (Nom)	1,600 cd
Color Designation	Warm White (WW)
Correlated Color Temperature (Nom)	2700 K
Luminous Efficacy (rated) (Nom)	84 lm/W

Color Consistency	<6
Color rendering index (CRI)	90
LLMF At End Of Nominal Lifetime (Nom)	70 %
Photobiological safety according to EN 62471	RG1

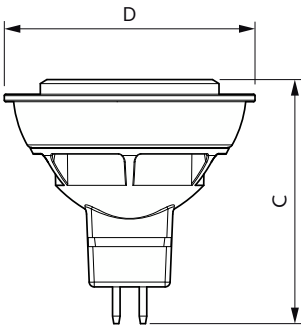
Operating and Electrical	
Input Frequency	- Hz
Power Consumption	4.9 W
Lamp Current (Nom)	484 mA
Wattage Equivalent	50 W
Starting Time (Nom)	0.5 s
Warm-up time to 60% light	0.5 s
Power Factor (Fraction)	0.7

# MASTER VALUE LED spot LV

Voltage (Nom)	ac electronic 12 V
<b>Temperature</b>	
T-Case Maximum (Nom)	72 °C
<b>Controls and Dimming</b>	
Dimmable	No
<b>Mechanical and Housing</b>	
Bulb Finish	Clear
Bulb Material	Metal
Bulb Shape	MR16
Net Weight (Piece)	0.037 kg
<b>Approval and Application</b>	
Suitable For Accent Lighting	Yes
EU RoHS compliant	Yes

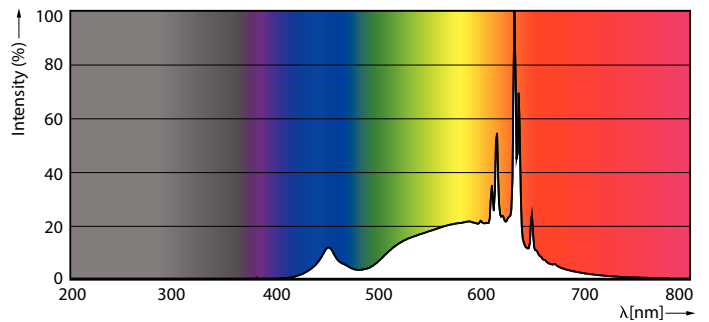
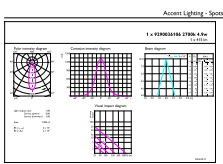
Ambient temperature range	-20 to +45 °C
<b>Application Conditions</b>	
Wireless Technology	Not applicable
<b>Product Data</b>	
Order product name	MASTER LED 4.9-50W 2700K MR16 24D
Full product name	MASTER LED 4.9-50W 2700K MR16 24D
Full product code	872016917454200
Order code	17454200
Material Nr. (12NC)	929003610608
Numerator - Quantity Per Pack	1
EAN/UPC - Product/Case	8720169174542
Numerator - Packs per outer box	10
EAN/UPC - Case	8720169174559

## Dimensional drawing



Product	D	C
MASTER LED 4.9-50W 2700K MR16 24D	50.5 mm	50 mm

## Photometric data

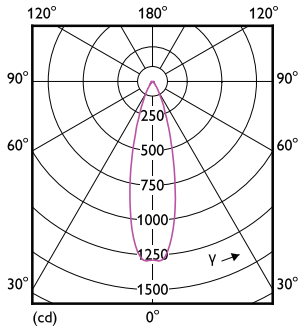


Accent Lighting Spots - MASTER LED 4.9-50W 2700K MR16 24D

Spectral Power Distribution Colour - MASTER LED 4.9-50W 2700K MR16 24D

# MASTER VALUE LED spot LV

## Photometric data



Light Distribution Diagram - MASTER LED 4.9-50W 2700K MR16 24D

## Lifetime



Life Expectancy Diagram



Lumen Maintenance Diagram - MASTER LED 4.9-50W 2700K MR16 24D

