



MASTER VALUE LED spot LV

MASTER LED 3.9-35W 3000K MR16 24D

LEDspot, MR16, 35 W, GU5.3, 3000 K, 280 lm, 25000 hour(s), Metal

LEDspot, MR16, 35 W, GU5.3, 3000 K, 280 lm, 25000 hour(s), Metal, 71 lm/W, RG1

Warnings and Safety

- Operating temperature range is between -20° C and 45° C ambient
- Only to apply in dry or damp locations and most of open fixtures with lamp-holders that offer sufficient space (10 mm free air space)
- Not intended for use with emergency light fixtures or exit lights

Product data

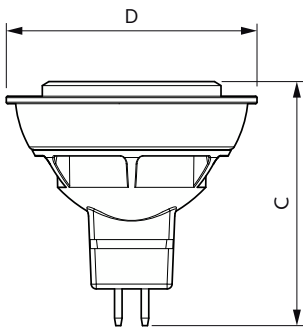
General Information		Color Consistency	
Cap-Base	GU5.3	Color Consistency	<6
Nominal lifetime	25,000 hour(s)	Color rendering index (CRI)	90
Switching Cycle	50,000	LLMF At End Of Nominal Lifetime (Nom)	70 %
Lighting Technology	LEDspot	Photobiological safety according to EN 62471	RG1
Light Technical		Operating and Electrical	
Color Code	930 [CCT of 3000K]	Input Frequency	- Hz
Beam Angle (Nom)	24 degree(s)	Power Consumption	3.9 W
Luminous Flux	280 lm	Lamp Current (Nom)	385 mA
Luminous Intensity (Nom)	1,000 cd	Wattage Equivalent	35 W
Color Designation	White (WH)	Starting Time (Nom)	0.5 s
Correlated Color Temperature (Nom)	3000 K	Warm-up time to 60% light	0.5 s
Luminous Efficacy (rated) (Nom)	71 lm/W	Power Factor (Fraction)	0.7

MASTER VALUE LED spot LV

Voltage (Nom)	ac electronic 12 V
Temperature	
T-Case Maximum (Nom)	68 °C
Controls and Dimming	
Dimmable	No
Mechanical and Housing	
Bulb Finish	Clear
Bulb Material	Metal
Bulb Shape	MR16
Net Weight (Piece)	0.028 kg
Approval and Application	
Suitable For Accent Lighting	Yes
EU RoHS compliant	Yes

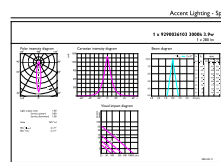
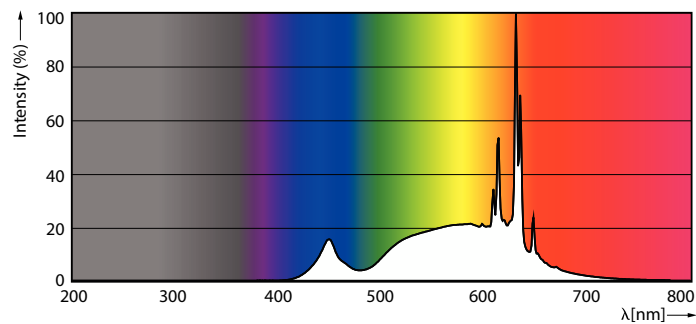
Ambient temperature range	-20 to +45 °C
Application Conditions	
Wireless Technology	Not applicable
Product Data	
Order product name	MASTER LED 3.9-35W 3000K MR16 24D
Full product name	MASTER LED 3.9-35W 3000K MR16 24D
Full product code	872016917448100
Order code	929003610308
Material Nr. (12NC)	929003610308
Numerator - Quantity Per Pack	1
EAN/UPC - Product/Case	8720169174481
Numerator - Packs per outer box	10
EAN/UPC - Case	8720169174498

Dimensional drawing



Product	D	C
MASTER LED 3.9-35W 3000K MR16 24D	50.5 mm	50 mm

Photometric data

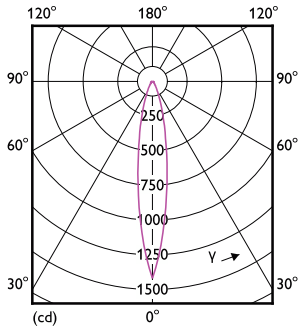


Spectral Power Distribution Colour - MASTER LED 3.9-35W 3000K MR16 24D

Accent Lighting Spots - MASTER LED 3.9-35W 3000K MR16 24D

MASTER VALUE LED spot LV

Photometric data



Light Distribution Diagram - MASTER LED 3.9-35W 3000K MR16 24D

Lifetime



Life Expectancy Diagram



Lumen Maintenance Diagram - MASTER LED 3.9-35W 3000K MR16 24D

