



# MASTER - LED HID HPL

## MAS LED HPL M 6Klm 33.5W 840 E27 FR G

MASTER, LED HPL, Oval, Mains only, 33.5 W, HPL 200W, SON 100W, E27, 4000 K, 6000 lm, CRI 80, 50000 hour(s)

Philips Master LED HPL lamps offer an easy and short payback LED solution to replace High Intensity Discharge (HID) lamps. The products bring the energy efficiency and long lifetime benefits of LED to HID HPL replacement and provide instant saving and low initial investment. With the right lamp size and light distribution, you can easily retrofit Master LED HPL urban lamps and bypass the existing ballast while enhancing the lighting quality.

### Warnings and Safety

- Please refer to the installation guide or consult a Philips Lighting representative for wiring diagram and instructions.

### Product data

General Information		Color Designation	
Cap-Base	E27	Color Designation	Cool White (CW)
Nominal lifetime	50,000 hour(s)	Correlated Color Temperature (Nom)	4000 K
Switching Cycle	50,000	Luminous Efficacy (rated) (Nom)	179 lm/W
Lighting Technology	LED HPL	Color Consistency	<6
Flux measurement reference	Sphere	Color rendering index (CRI)	80
Warranty period	5 years	LLMF At End Of Nominal Lifetime (Nom)	70 %
Light Technical		Photobiological safety according to EN 62471	RG0
Color Code	840 [CCT of 4000K]	Operating and Electrical	
Beam Angle (Nom)	300 degree(s)	Line Frequency	50 to 60 Hz
Luminous Flux	6,000 lm	Input Frequency	50 to 60 Hz
		Power Consumption	33.5 W

# MASTER - LED HID HPL

Lamp Current (Nom)	150 mA
Starting Time (Nom)	0.5 s
Warm-up time to 60% light	45 s
Power Factor (Fraction)	0.9
Voltage (Nom)	220-240 V
Inrush current at mains	23.2
Max. lamp no. on MCB B type 10A - Mains	8
Max. lamp no. on MCB B type 10A – EM ballast without Compensation Capacitor.	-
Max. lamp no. on MCB B type 10A – EM ballast with Compensation Capacitor.	-
Max. lamp no. on MCB B type 16A - Mains	13
Max. lamp no. on MCB B type 16A – EM ballast without Compensation Capacitor.	-
Max. lamp no. on MCB B type 16A – EM ballast with Compensation Capacitor.	-
Wattage Equivalent (LED HID only)	HPL 200W, SON 100W
Ballast Compatibility	Mains only

## Temperature

T-Case Maximum (Nom)	65 °C
----------------------	-------

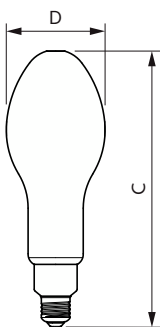
## Controls and Dimming

Dimmable	No
----------	----

## Mechanical and Housing

Bulb Finish	Frosted
Bulb Material	Glass
Bulb Shape	Oval

## Dimensional drawing



Net Weight (Piece)	0.200 kg
--------------------	----------

## Approval and Application

Energy Efficiency Class	C
Energy Saving Product	Yes
Energy Consumption kWh/1000 h	34 kWh
EPREL Registration Number	1363716
CE mark	Yes
EU RoHS compliant	Yes
Flickering value (PstLM) - Flickering value as per EN 61000-3-3	1
Stroboscopic effect visibility measure (SVM)	1.6
Ambient temperature range	-30 to +45 °C

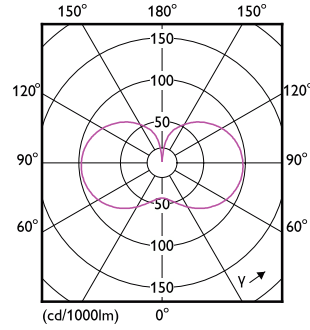
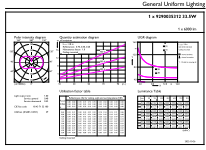
## Product Data

Order product name	MAS LED HPL M 6Klm 33.5W 840 E27 FR G
Full product name	MAS LED HPL M 6Klm 33.5W 840 E27 FR G
Full product code	871951445203900
Order code	929003531202
Material Nr. (12NC)	929003531202
Numerator - Quantity Per Pack	1
EAN/UPC - Product/Case	8719514452039
Numerator - Packs per outer box	6
EAN/UPC - Case	8719514452046

Product	D	C
MAS LED HPL M 6Klm 33.5W 840 E27 FR G	91 mm	249 mm

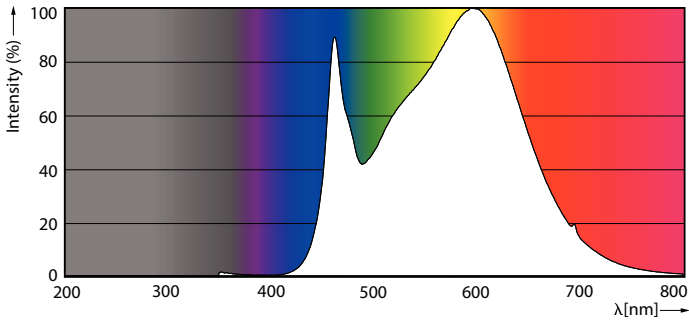
# MASTER - LED HID HPL

## Photometric data



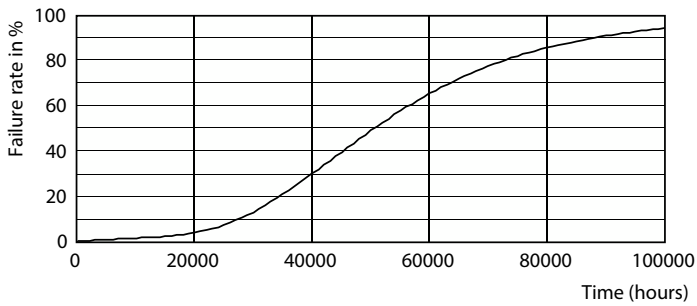
General uniform lighting - MAS LED HPL M 6Klm 33.5W 840 E27 FR G

Light Distribution Diagram - MAS LED HPL M 6Klm 33.5W 840 E27 FR G

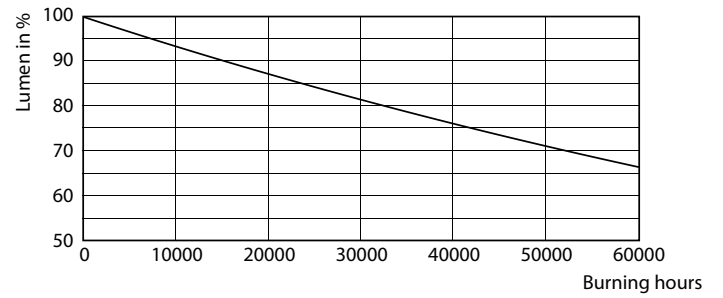


Spectral Power Distribution Colour - MAS LED HPL M 6Klm 33.5W 840 E27 FR G

## Lifetime



Life Expectancy Diagram



Lumen Maintenance Diagram - MAS LED HPL M 6Klm 33.5W 840 E27 FR G

## MASTER - LED HID HPL

