



# MASTER VALUE LED spot PAR



## MAS LEDspot VLE D 9.5-75W 940 PAR30S 25D

MASTER Value, LEDspot, PAR30S, 75 W, E27, 4000 K, 820 lm, CRI 90, 25000 h, Glass

With its robust design and warm-white beam of light, these new-generation PAR lamps are ideal for general lighting and spot lighting in the hospitality industry. It's a dimmable solution. They are especially suitable for public areas such as lobbies, corridors, stairwells, where the light is always on. The product offers more energy saving comparing with normal LED spots.

### Product data

General Information		Colour consistency	
Cap base	E27	Colour consistency	<6
Nominal lifetime	25,000 h	Colour rendering index (CRI)	90
Switching Cycle	50,000	LLMF at end of nominal lifetime (nom.)	70 %
Lighting Technology	LEDspot	Luminous flux in 90° cone (rated)	820 lm
Flux measurement reference	Narrow Cone	Photobiological safety according to EN 62471	RG1
Warranty period	5 years	<b>Operating and Electrical</b>	
<b>Light Technical</b>		Line Frequency	50 to 60 Hz
Colour Code	940 [CCT of 4000K]	Input frequency	50 to 60 Hz
Beam angle (nom.)	25 degree(s)	Power Consumption	9.5 W
Luminous Flux	820 lm	Lamp current (nom.)	60 mA
Luminous intensity (nom.)	3,000 cd	Wattage equivalent	75 W
Colour designation	Cool White (CW)	Starting time (nom.)	0.5 s
Correlated Colour Temperature (Nom)	4000 K	Warm-up time to 60% light	0.5 s
Luminous efficacy (rated) (nom.)	86 lm/W	Power Factor (Fraction)	0.7

# MASTER VALUE LED spot PAR

Voltage (nom.)	220-240 V
----------------	-----------

## Temperature

T-Case maximum (nom.)	80 °C
-----------------------	-------

## Controls and Dimming

Dimmable	Only with specific dimmers
----------	----------------------------

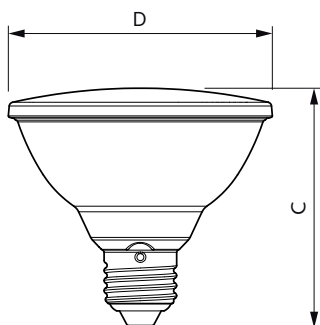
## Mechanical and Housing

Lamp Finish	Clear
Bulb material	Glass
Bulb shape	PAR30S
Net Weight (Piece)	0.160 kg

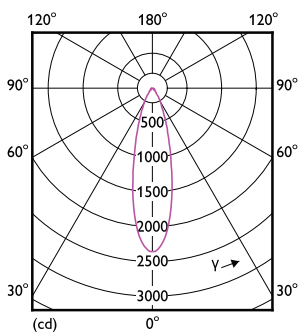
## Approval and Application

Energy Efficiency Class	F
Suitable for accent lighting	Yes
Energy consumption kWh/1,000 hours	10 kWh
EPREL Registration Number	1121751
CE mark	Yes
EU RoHS compliant	Yes
EyeComfort	Yes

## Dimensional drawing



## Photometric data



Light Distribution Diagram - MAS LEDspot VLE D 9.5-75W 940 PAR30S 25D

Flickering value (PstLM)	1
Stroboscopic effect	0.4
Ambient temperature range	-20 to +45 °C

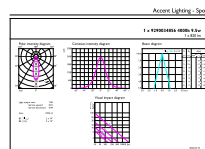
## Application Conditions

Can it be used in closed luminaires	No
Wireless Technology	Not applicable

## Product Data

Order product name	MAS LEDspot VLE D 9.5-75W 940 PAR30S 25D
Full product name	MAS LEDspot VLE D 9.5-75W 940 PAR30S 25D
Full EOC	871951444324200
Order code	929003485602
Material no. (12 NC)	929003485602
Numerator – quantity per pack	1
EAN/UPC – Product/Case	8719514443242
Numerator – packs per outer box	6
EAN/UPC - Case	8719514443259

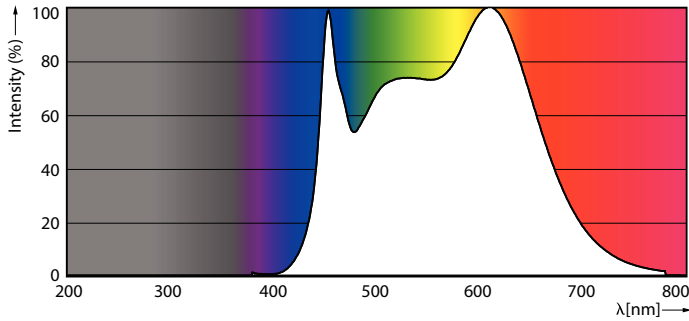
Product	D	C
MAS LEDspot VLE D 9.5-75W 940 PAR30S 25D	95 mm	86 mm



Accent Lighting Spots - MAS LEDspot VLE D 9.5-75W 940 PAR30S 25D

# MASTER VALUE LED spot PAR

## Photometric data



Spectral Power Distribution Colour - MAS LEDspot VLE D 9.5-75W 940 PAR30S 25D

## Lifetime



Life Expectancy Diagram



Lumen Maintenance Diagram - MAS LEDspot VLE D 9.5-75W 940 PAR30S 25D

