



MASTER VALUE LED spot PAR



MAS LEDspot VLE D 9.5-75W 940 PAR30S 25D

MASTER Value, LEDspot, PAR30S, 75 W, E27, 4000 K, 820 lm, CRI 90, 25000 hour(s), Glass

With its robust design and warm-white beam of light, these new-generation PAR lamps are ideal for general lighting and spot lighting in the hospitality industry. It's a dimmable solution. They are especially suitable for public areas such as lobbies, corridors, stairwells, where the light is always on. The product offers more energy saving comparing with normal LED spots.

Product data

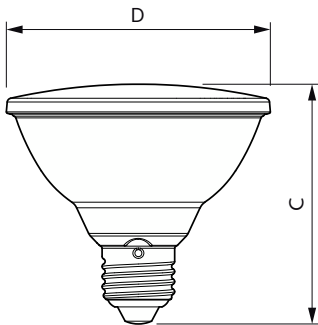
General Information		Color Consistency	
Cap-Base	E27	Color Consistency	<6
Nominal lifetime	25,000 hour(s)	Color rendering index (CRI)	90
Switching Cycle	50,000	LLMF At End Of Nominal Lifetime (Nom)	70 %
Lighting Technology	LEDspot	Luminous Flux in 90° Cone (Rated)	820 lm
Flux measurement reference	Narrow Cone	Photobiological safety according to EN 62471	RG1
Warranty period	5 years	Operating and Electrical	
Light Technical		Line Frequency	50 to 60 Hz
Color Code	940 [CCT of 4000K]	Input Frequency	50 to 60 Hz
Beam Angle (Nom)	25 degree(s)	Power Consumption	9.5 W
Luminous Flux	820 lm	Lamp Current (Nom)	60 mA
Luminous Intensity (Nom)	3,000 cd	Wattage Equivalent	75 W
Color Designation	Cool White (CW)	Starting Time (Nom)	0.5 s
Correlated Color Temperature (Nom)	4000 K	Warm-up time to 60% light	0.5 s
Luminous Efficacy (rated) (Nom)	86 lm/W	Power Factor (Fraction)	0.7

MASTER VALUE LED spot PAR

Voltage (Nom)	220-240 V
Temperature	
T-Case Maximum (Nom)	80 °C
Controls and Dimming	
Dimmable	Only with specific dimmers
Mechanical and Housing	
Bulb Finish	Clear
Bulb Material	Glass
Bulb Shape	PAR30S
Net Weight (Piece)	0.160 kg
Approval and Application	
Energy Efficiency Class	F
Suitable For Accent Lighting	Yes
Energy Consumption kWh/1000 h	10 kWh
EPREL Registration Number	1121751
CE mark	Yes
EU RoHS compliant	Yes
EyeComfort	Yes

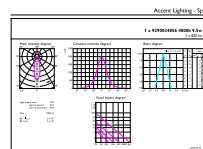
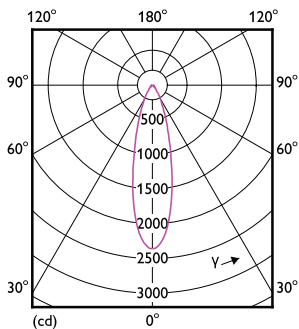
Flickering value (PstLM) - Flickering value as per EN 61000-3-3	1
Stroboscopic effect visibility measure (SVM)	0.4
Ambient temperature range	-20 to +45 °C
Application Conditions	
can it be used in closed luminaires	No
Product Data	
Order product name	MAS LEDspot VLE D 9.5-75W 940 PAR30S 25D
Full product name	MAS LEDspot VLE D 9.5-75W 940 PAR30S 25D
Full product code	871951444324200
Order code	929003485602
Material Nr. (12NC)	929003485602
Numerator - Quantity Per Pack	1
EAN/UPC - Product/Case	8719514443242
Numerator - Packs per outer box	6
EAN/UPC - Case	8719514443259

Dimensional drawing



Product	D	C
MAS LEDspot VLE D 9.5-75W 940 PAR30S 25D	95 mm	86 mm

Photometric data

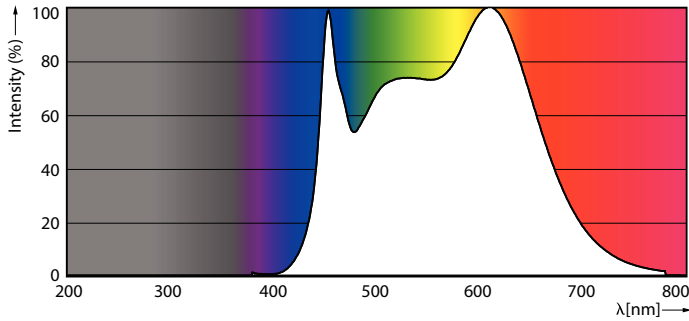


Light Distribution Diagram - MAS LEDspot VLE D 9.5-75W 940 PAR30S 25D

Accent Lighting Spots - MAS LEDspot VLE D 9.5-75W 940 PAR30S 25D

MASTER VALUE LED spot PAR

Photometric data



Spectral Power Distribution Colour - MAS LEDspot VLE D 9.5-75W 940 PAR30S 25D

Lifetime



Life Expectancy Diagram



Lumen Maintenance Diagram - MAS LEDspot VLE D 9.5-75W 940 PAR30S 25D

