



MASTER LED spot ExpertColor AR111

MAS LEDExpertColor 20-100W 940 AR111 45D

LEDspot, AR111, 100 W, G53, 4000 K, 1700 lm, 40000 hour(s)

MASTER LEDspot LV ExpertColor creates a warm and comfortable ambience for hospitality venues, homes and restaurants. It creates such an ambience with superior lighting that has a customized spectrum, high CRI, and deep dimming feature. The result? A beautiful lighting experience. What's more, the innovative, trimless lens design will suit almost any interior decor with its clean and neat look. In addition, you can take advantage of the full ExpertColor family, which also includes LEDspot MV and LEDspot Par lamps.

Product data

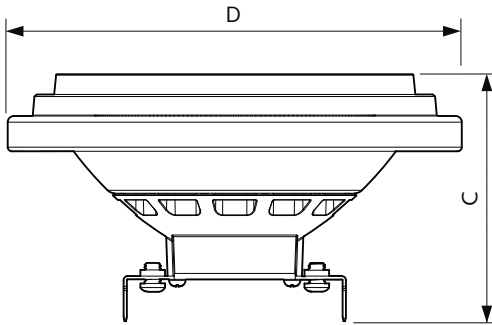
General Information		Color rendering index (CRI) 97	
Cap-Base	G53	LLMF At End Of Nominal Lifetime (Nom) 70 %	
Nominal lifetime	40,000 hour(s)		
Switching Cycle	50,000		
Lighting Technology	LEDspot		
Light Technical		Operating and Electrical	
Color Code	940 [CCT of 4000K]	Line Frequency	50 to 60 Hz
Beam Angle (Nom)	45 degree(s)	Input Frequency	50 to 60 Hz
Luminous Flux	1,700 lm	Power Consumption	20 W
Luminous Intensity (Nom)	2,300 cd	Lamp Current (Nom)	2,000 mA
Color Designation	Cool White (CW)	Wattage Equivalent	100 W
Correlated Color Temperature (Nom)	4000 K	Starting Time (Nom)	0.5 s
Luminous Efficacy (rated) (Nom)	85.00 lm/W	Warm-up time to 60% light	0.5 s
Color Consistency	<4	Power Factor (Fraction)	0.7
		Voltage (Nom)	12 V

MASTER LED spot ExpertColor AR111

Temperature	
T-Case Maximum (Nom)	77 °C
Controls and Dimming	
Dimmable	Only with specific dimmers
Mechanical and Housing	
Bulb Finish	Clear
Bulb Shape	AR111
Net Weight (Piece)	0.162 kg
Approval and Application	
Suitable For Accent Lighting	Yes
EU RoHS compliant	Yes

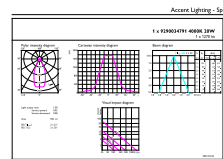
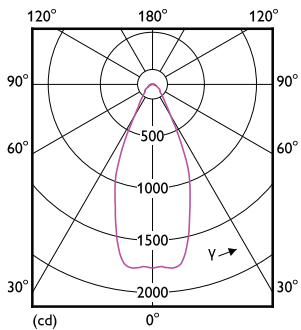
Ambient temperature range	-20 °C to 45 °C
Product Data	
Order product name	MAS LEDExpertColor 20-100W 940 AR111 45D
Full product name	MAS LEDExpertColor 20-100W 940 AR111 45D
Full product code	871951444883400
Order code	929003479108
Material Nr. (12NC)	929003479108
Numerator - Quantity Per Pack	1
EAN/UPC - Product/Case	8719514448834
Numerator - Packs per outer box	6
EAN/UPC - Case	8719514448841

Dimensional drawing



Product	D	C
MAS LEDExpertColor 20-100W 940 AR111 45D	111 mm	62 mm

Photometric data

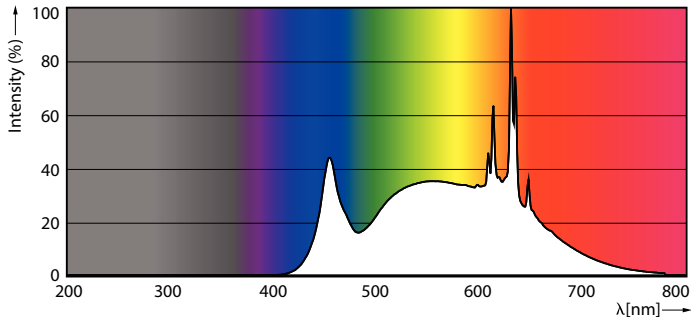


Light Distribution Diagram - MAS LEDExpertColor 20-100W 940 AR111 45D

Accent Lighting Spots - MAS LEDExpertColor 20-100W 940 AR111 45D

MASTER LED spot ExpertColor AR111

Photometric data



Spectral Power Distribution Colour - MAS LEExpertColor 20-100W 940 AR111 45D

Lifetime



Life Expectancy Diagram



Lumen Maintenance Diagram - MAS LEExpertColor 20-100W 940 AR111 45D

