



MASTER LED spot ExpertColor AR111

MAS LEDExpertColor 20-100W 930 AR111 45D

LEDspot, AR111, 100 W, G53, 3000 K, 1600 lm, 40000 hour(s)

MASTER LEDspot LV ExpertColor creates a warm and comfortable ambience for hospitality venues, homes and restaurants. It creates such an ambience with superior lighting that has a customized spectrum, high CRI, and deep dimming feature. The result? A beautiful lighting experience. What's more, the innovative, trimless lens design will suit almost any interior decor with its clean and neat look. In addition, you can take advantage of the full ExpertColor family, which also includes LEDspot MV and LEDspot Par lamps.

Product data

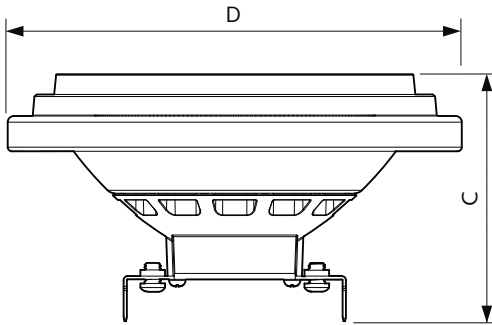
General Information		Color rendering index (CRI)	
Cap-Base	G53		97
Nominal lifetime	40,000 hour(s)	LLMF At End Of Nominal Lifetime (Nom) 70 %	
Switching Cycle	50,000	Operating and Electrical	
Lighting Technology	LEDspot	Line Frequency	50 to 60 Hz
		Input Frequency	50 to 60 Hz
		Power Consumption	20 W
		Lamp Current (Nom)	2,000 mA
		Wattage Equivalent	100 W
		Starting Time (Nom)	0.5 s
		Warm-up time to 60% light	0.5 s
		Power Factor (Fraction)	0.7
		Voltage (Nom)	12 V
Light Technical			
Color Code	930 [CCT of 3000K]		
Beam Angle (Nom)	45 degree(s)		
Luminous Flux	1,600 lm		
Luminous Intensity (Nom)	2,200 cd		
Color Designation	White (WH)		
Correlated Color Temperature (Nom)	3000 K		
Luminous Efficacy (rated) (Nom)	80.00 lm/W		
Color Consistency	<4		

MASTER LED spot ExpertColor AR111

Temperature	
T-Case Maximum (Nom)	77 °C
Controls and Dimming	
Dimmable	Only with specific dimmers
Mechanical and Housing	
Bulb Finish	Clear
Bulb Shape	AR111
Net Weight (Piece)	0.162 kg
Approval and Application	
Suitable For Accent Lighting	Yes
EU RoHS compliant	Yes

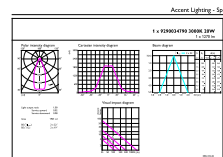
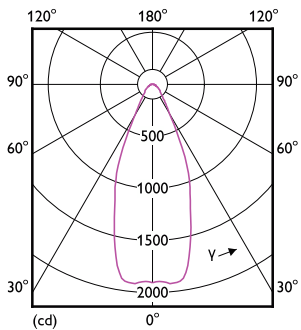
Ambient temperature range	-20 °C to 45 °C
Product Data	
Order product name	MAS LEDExpertColor 20-100W 930 AR111 45D
Full product name	MAS LEDExpertColor 20-100W 930 AR111 45D
Full product code	871951444881000
Order code	929003479008
Material Nr. (12NC)	929003479008
Numerator - Quantity Per Pack	1
EAN/UPC - Product/Case	8719514448810
Numerator - Packs per outer box	6
EAN/UPC - Case	8719514448827

Dimensional drawing



Product	D	C
MAS LEDExpertColor 20-100W 930 AR111 45D	111 mm	62 mm

Photometric data

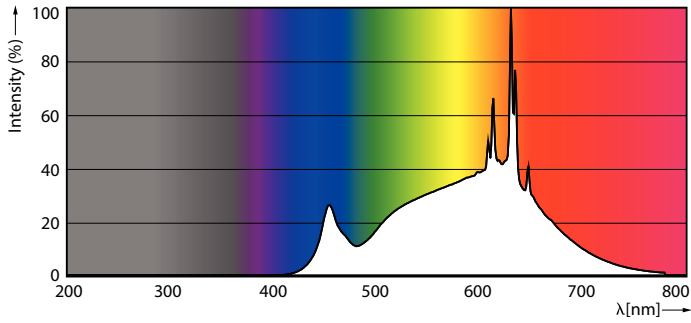


Light Distribution Diagram - MAS LEDExpertColor 20-100W 930 AR111 45D

Accent Lighting Spots - MAS LEDExpertColor 20-100W 930 AR111 45D

MASTER LED spot ExpertColor AR111

Photometric data



Spectral Power Distribution Colour - MAS LEExpertColor 20-100W 930 AR111 45D

Lifetime



Life Expectancy Diagram



Lumen Maintenance Diagram - MAS LEExpertColor 20-100W 930 AR111 45D

