



# MASTER LED spot ExpertColor AR111

## MAS LEDExpertColor 20-100W 940 AR111 24D

LEDspot, AR111, 100 W, G53, 4000 K, 1700 lm, 40000 hour(s)

LEDspot, AR111, 100 W, G53, 4000 K, 1700 lm, 40000 hour(s), 85.00 lm/W

### Product data

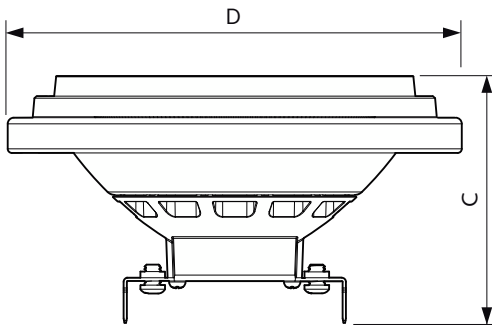
General Information		Power Consumption	
Cap-Base	G53	Power Consumption	20 W
Nominal lifetime	40,000 hour(s)	Lamp Current (Nom)	2,000 mA
Switching Cycle	50,000	Wattage Equivalent	100 W
Lighting Technology	LEDspot	Starting Time (Nom)	0.5 s
		Warm-up time to 60% light	0.5 s
		Power Factor (Fraction)	0.7
		Voltage (Nom)	12 V
Light Technical		Temperature	
Color Code	940 [CCT of 4000K]	T-Case Maximum (Nom)	77 °C
Beam Angle (Nom)	24 degree(s)		
Luminous Flux	1,700 lm	Controls and Dimming	
Luminous Intensity (Nom)	4,400 cd	Dimmable	Only with specific dimmers
Color Designation	Cool White (CW)		
Correlated Color Temperature (Nom)	4000 K	Mechanical and Housing	
Luminous Efficacy (rated) (Nom)	85.00 lm/W	Bulb Finish	Clear
Color Consistency	<4	Bulb Shape	AR111
Color rendering index (CRI)	97	Net Weight (Piece)	0.162 kg
LLMF At End Of Nominal Lifetime (Nom)	70 %		
Operating and Electrical		Approval and Application	
Line Frequency	50 to 60 Hz	Suitable For Accent Lighting	Yes
Input Frequency	50 to 60 Hz		

# MASTER LED spot ExpertColor AR111

EU RoHS compliant	Yes
Ambient temperature range	-20 °C to 45 °C
<b>Application Conditions</b>	
Wireless Technology	Not applicable
<b>Product Data</b>	
Order product name	MAS LEDExpertColor 20-100W 940 AR111 24D
Full product name	MAS LEDExpertColor 20-100W 940 AR111 24D

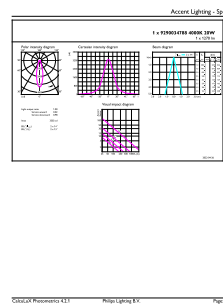
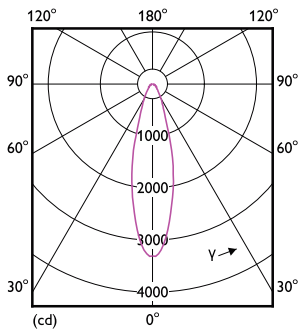
Full product code	871951444877300
Order code	929003478808
Material Nr. (12NC)	929003478808
Numerator - Quantity Per Pack	1
EAN/UPC - Product/Case	8719514448773
Numerator - Packs per outer box	6
EAN/UPC - Case	8719514448780

## Dimensional drawing



Product	D	C
MAS LEDExpertColor 20-100W 940 AR111 24D	111 mm	62 mm

## Photometric data

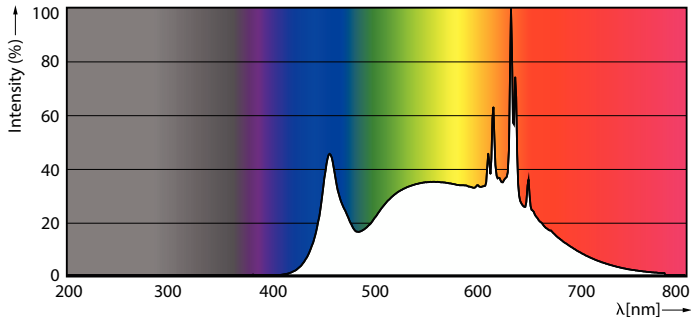


Light Distribution Diagram - MAS LEDExpertColor 20-100W 940 AR111 24D

Accent Lighting Spots - MAS LEDExpertColor 20-100W 940 AR111 24D

# MASTER LED spot ExpertColor AR111

## Photometric data



Spectral Power Distribution Colour - MAS LEExpertColor 20-100W 940 AR111 24D

## Lifetime



Life Expectancy Diagram



Lumen Maintenance Diagram - MAS LEExpertColor 20-100W 940 AR111 24D

