



# MASTER LED spot ExpertColor AR111



## MAS LEDExpertColor 20-100W 930 AR111 24D

MASTER, LEDspot, AR111, 100 W, G53, 3000 K, 1270 lm, CRI 95, 40000 h

MASTER, LEDspot, AR111, 100 W, G53, 3000 K, 1270 lm, CRI 95, 40000 h, 63 lm/W, EEL G, PF 0.7, RG1, IP20, SVM 1.5, PstLM 1

### Product data

General Information	
Cap base	G53
Nominal lifetime	40,000 h
Switching Cycle	50,000
Lighting Technology	LEDspot
Flux measurement reference	Narrow Cone
Warranty period	5 years
Light Technical	
Colour Code	930 [CCT of 3000K]
Beam angle (nom.)	24 degree(s)
Luminous Flux	1,270 lm
Luminous intensity (nom.)	4,200 cd
Colour designation	White (WH)
Correlated Colour Temperature (Nom)	3000 K
Luminous efficacy (rated) (nom.)	63 lm/W
Colour consistency	<4
Colour rendering index (CRI)	95
LLMF at end of nominal lifetime (nom.)	70 %

Luminous flux in 90° cone (rated)	1,270 lm
Photobiological safety according to EN 62471	RG1
Operating and Electrical	
Line Frequency	50 to 60 Hz
Input frequency	50 to 60 Hz
Power Consumption	20 W
Lamp current (nom.)	2,000 mA
Wattage equivalent	100 W
Starting time (nom.)	0.5 s
Warm-up time to 60% light	0.5 s
Power Factor (Fraction)	0.7
Voltage (nom.)	12 V
Temperature	
T-Case maximum (nom.)	77 °C

# MASTER LED spot ExpertColor AR111

## Controls and Dimming

Dimmable	Only with specific dimmers
----------	----------------------------

## Mechanical and Housing

Lamp Finish	Clear
Bulb shape	AR111
Net Weight (Piece)	0.162 kg

## Approval and Application

Energy Efficiency Class	G
Suitable for accent lighting	Yes
Energy consumption kWh/1,000 hours	20 kWh
EPREL Registration Number	1122533
CE mark	Yes
EU RoHS compliant	Yes
EyeComfort	Yes
Flickering value (PstLM)	1
Stroboscopic effect	1.5
Ambient temperature range	-20°C to 45°C

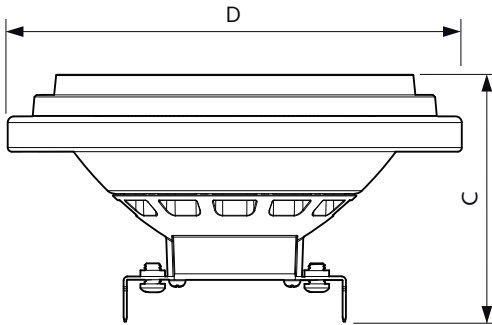
## Application Conditions

Can it be used in closed luminaires	No
Wireless Technology	Not applicable

## Product Data

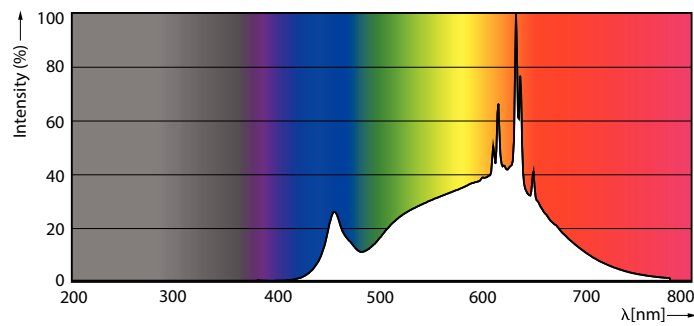
Order product name	MAS LEExpertColor 20-100W 930 AR111 24D
Full product name	MAS LEExpertColor 20-100W 930 AR111 24D
Full EOC	871951442969700
Order code	929003478702
Material no. (12 NC)	929003478702
Numerator – quantity per pack	1
EAN/UPC – Product/Case	8719514429697
Numerator – packs per outer box	6
EAN/UPC - Case	8719514429703

## Dimensional drawing

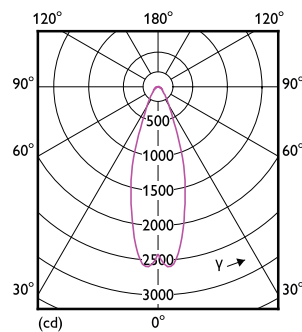


Product	D	C
MAS LEExpertColor 20-100W 930 AR111 24D	111 mm	62 mm

## Photometric data



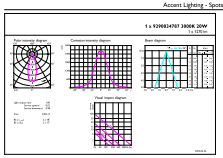
Spectral Power Distribution Colour - MAS LEExpertColor 20-100W 930 AR111 24D



Light Distribution Diagram - MAS LEExpertColor 20-100W 930 AR111 24D

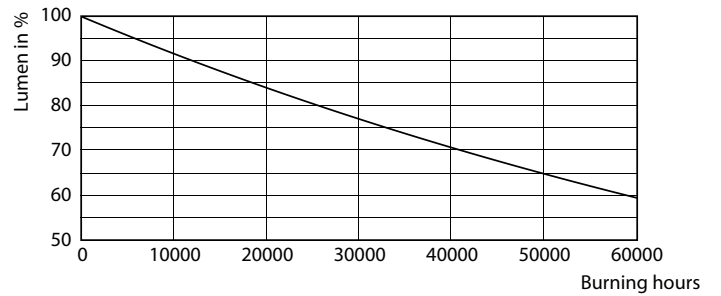
# MASTER LED spot ExpertColor AR111

## Photometric data



Accent Lighting Spots - MAS LEDExpertColor 20-100W 930 AR111 24D

## Lifetime



Life Expectancy Diagram

Lumen Maintenance Diagram - MAS LEDExpertColor 20-100W 930 AR111 24D

