



Deep Recessed Spotlight

RS350 G2 SF Sq L80 7W 30K 24D 1H

Deep Recessed Spotlight, 7 W, 540 lm, 3000 K, Beam angle 24°, White

Deep Recessed offers excellent experience for the consumer, which includes eye comfort, reliable quality and outstanding performance, especially the anti glare feature.

Product data

General Information	
Light source replaceable	No
Number of gear units	70 units
Driver included	Yes
Switching Cycle	15,000
Lighting Technology	LED
Value ladder	Performance
Warranty period	1 years
Light Technical	
Luminous Flux	540 lm
Correlated Color Temperature (Nom)	3000 K
Luminous Efficacy (rated) (Nom)	77 lm/W
Color rendering index (CRI)	90
Light source color	930 warm white
Optic type	Beam angle 24°
Luminaire light beam spread	24°

Operating and Electrical	
Input Voltage	220 to 240 V
Line Frequency	50 or 60 Hz
Input Frequency	50 or 60 Hz
Inrush current	8.5 A
Inrush time	0.18 ms
Power Consumption	7 W
Power Factor (Fraction)	0.5
Connection	Flying leads/wires
Cable	Cable 0.7 m without plug
Number of products on MCB of 16 A type B	110
Suitable for random switching	No
Protection class IEC	Safety class II
Controls and Dimming	
Dimmable	No
Driver/power unit/transformer	Power supply unit (On/Off)

Deep Recessed Spotlight

Constant light output	No
-----------------------	----

Mechanical and Housing

Housing Material	Aluminum die-cast
Reflector material	Polycarbonate aluminum coated
Optic material	Polycarbonate
Optical cover material	Polycarbonate
Fixation material	Steel
Housing Color	White
Optical cover finish	Clear
Overall length	80 mm
Overall width	80 mm
Overall height	125 mm
Dimensions (Height x Width x Depth)	125 x 80 x 80 mm
Ingress protection code	IP20 [Finger-protected]
Mech. impact protection code	IK03 [0.3 J]
Net Weight (Piece)	0.430 kg

Approval and Application

Glow-wire test	Temperature 650 °C, duration 30 s
Flammability mark	For mounting on normally flammable surfaces
EU RoHS compliant	Yes
EyeComfort	Yes

Ambient temperature range	-20 to +40 °C
---------------------------	---------------

Initial Performance (IEC Compliant)

Luminous flux tolerance	+/-10%
Initial chromaticity	((, 0.4369 , , 0.404)) 5SDCM
Power consumption tolerance	+/-10%

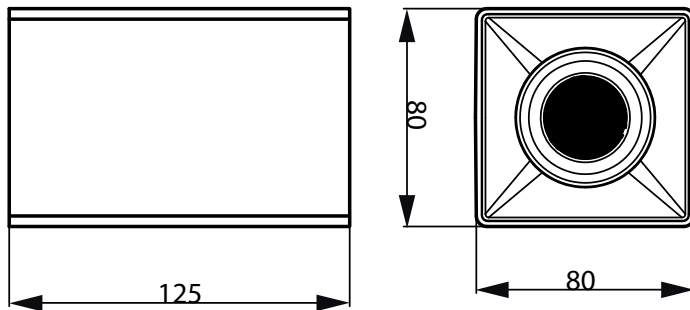
Over Time Performance (IEC Compliant)

Driver failure rate at 5000 h	0.015 %
Median useful life L70B50	25,000 hour(s)

Product Data

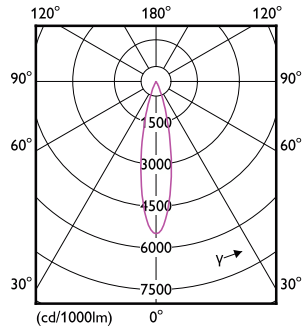
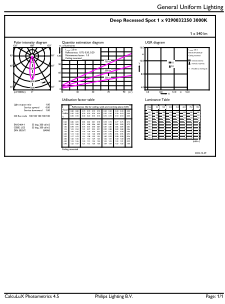
Order product name	RS350 G2 SF Sq L80 7W 30K 24D 1H
Full product name	RS350 G2 SF Sq L80 7W 30K 24D 1H
Full product code	694783048521500
Order code	929003225010
Material Nr. (12NC)	929003225010
Numerator - Quantity Per Pack	1
EAN/UPC - Product/Case	6947830485215
Numerator - Packs per outer box	12
EAN/UPC - Case	6947830485222

Dimensional drawing



Deep Recessed Spotlight

Photometric data



General uniform lighting - RS350 G2 SF Sq L80 7W 30K 24D 1H

Light Distribution Diagram - RS350 G2 SF Sq L80 7W 30K 24D 1H

