



Essential LED spot GU10



ESS LEDspots 50W GU10 830 36D ND TR

LEDspot, PAR16, 50 W, GU10, 3000 K, 400 lm, 15000 hour(s)

Essential LEDspots are compatible with most existing fixtures with a GU10 socket and are designed as a retrofit replacement for halogen spots. Essential LEDspots deliver significant energy savings and minimize initial investment.

Product data

General Information	
Cap-Base	GU10
Nominal lifetime	15,000 hour(s)
Switching Cycle	15,000
Lighting Technology	LEDspot
Flux measurement reference	Narrow Cone
Light Technical	
Color Code	830 [CCT of 3000K]
Beam Angle (Nom)	36 degree(s)
Luminous Flux	400 lm
Luminous Intensity (Nom)	700 cd
Color Designation	White (WH)
Correlated Color Temperature (Nom)	3000 K
Luminous Efficacy (rated) (Nom)	73.00 lm/W
Color Consistency	<6
Color rendering index (CRI)	80
LLMF At End Of Nominal Lifetime (Nom)	70 %

Operating and Electrical	
Line Frequency	50 to 60 Hz
Input Frequency	50 to 60 Hz
Power Consumption	4.7 W
Lamp Current (Nom)	38 mA
Wattage Equivalent	50 W
Starting Time (Nom)	0.5 s
Warm-up time to 60% light	0.5 s
Power Factor (Fraction)	0.5
Voltage (Nom)	220-240 V
Temperature	
T-Case Maximum (Nom)	75 °C
Controls and Dimming	
Dimmable	No
Mechanical and Housing	
Bulb Shape	PAR16

Essential LED spot GU10

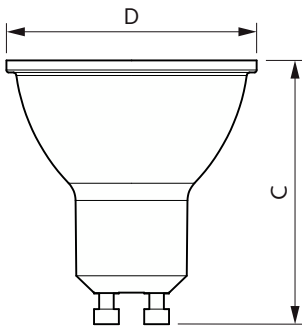
Net Weight (Piece)	0.032 kg
Approval and Application	
Energy Efficiency Class	F
Suitable For Accent Lighting	Yes
Energy Consumption kWh/1000 h	5 kWh
EPREL Registration Number	2458935
EU RoHS compliant	Yes
Ambient temperature range	-20 to +45 °C

Product Data

Order product name	ESS LEDspots 50W GU10 830 36D ND TR
--------------------	-------------------------------------

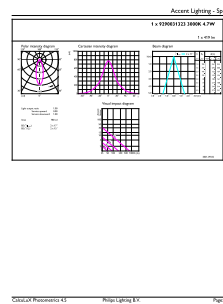
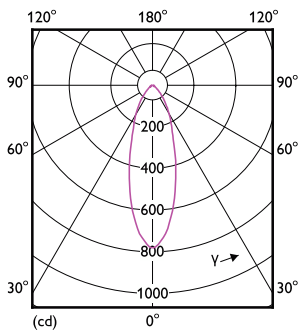
Full product name	ESS LEDspots 50W GU10 830 36D ND TR
Full product code	871951440519600
Order code	929003132387
Material Nr. (12NC)	929003132387
Numerator - Quantity Per Pack	1
EAN/UPC - Product/Case	8719514405196
Numerator - Packs per outer box	10
EAN/UPC - Case	8719514405202

Dimensional drawing



Product	D	C
ESS LEDspots 50W GU10 830 36D ND TR	50 mm	54 mm

Photometric data

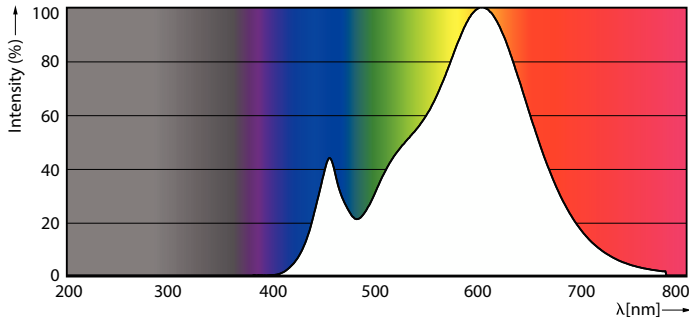


Light Distribution Diagram - ESS LEDspots 50W GU10 830 36D ND TR

Accent Lighting Spots - ESS LEDspots 50W GU10 830 36D ND TR

Essential LED spot GU10

Photometric data



Spectral Power Distribution Colour - ESS LEDspots 50W GU10 830 36D ND TR

Lifetime



Life Expectancy Diagram



Lumen Maintenance Diagram - ESS LEDspots 50W GU10 830 36D ND TR

