



MASTER LED spot ExpertColor LV

7.8MR16/PER/930/F25/Dim/EC/12V 10/1FB

LEDspot, MR16, 50 W, GU5.3, 3000 K, 480 lm, 25000 hour(s),
Aluminum

MASTER LEDspot LV ExpertColor creates a warm and comfortable ambience for hospitality venues, homes and restaurants. It creates such an ambience with superior lighting that has a customized spectrum, high CRI, and deep dimming feature. The result? A beautiful lighting experience. What's more, the innovative, trimless lens design will suit almost any interior decor with its clean and neat look. In addition, you can take advantage of the full ExpertColor family, which also includes LEDspot MV and LEDspot Par lamps.

Product data

General Information	
Cap-Base	GU5.3
Nominal lifetime	25,000 hour(s)
Switching Cycle	50,000
Lighting Technology	LEDspot
Light Technical	
Color Code	930 [CCT of 3000K]
Beam Angle (Nom)	25 degree(s)
Luminous Flux	480 lm
Luminous Intensity (Nom)	2,330 cd
Color Designation	White (WH)
Correlated Color Temperature (Nom)	3000 K
Luminous Efficacy (rated) (Nom)	61.00 lm/W

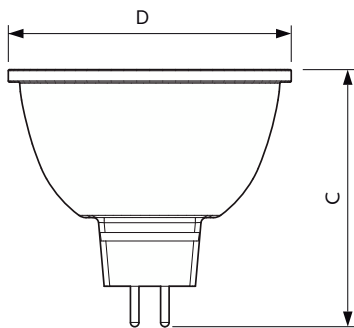
Color Consistency	<3
Color rendering index (CRI)	95
LLMF At End Of Nominal Lifetime (Nom)	70 %
Operating and Electrical	
Line Frequency	- Hz
Input Frequency	- Hz
Power Consumption	7.8 W
Lamp Current (Nom)	720 mA
Wattage Equivalent	50 W
Starting Time (Nom)	0.5 s
Warm-up time to 60% light	0.5 s
Power Factor (Fraction)	0.7

MASTER LED spot ExpertColor LV

Voltage (Nom)	ac electronic 12 V
Temperature	
T-Case Maximum (Nom)	93 °C
Controls and Dimming	
Dimmable	Only with specific dimmers
Mechanical and Housing	
Bulb Finish	Clear
Bulb Material	Aluminum
Bulb Shape	MR16
UL Wet/ damp/ dry location	Damp location
Net Weight (Piece)	0.052 kg
Approval and Application	
Suitable For Accent Lighting	Yes
EU RoHS compliant	Yes

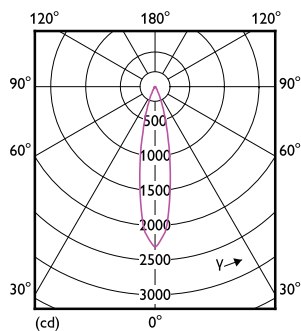
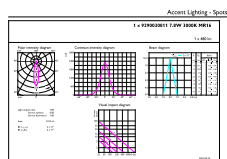
T20 compliant	No
Ambient temperature range	-20 to +45 °C
Application Conditions	
can it be used in closed luminaires	Yes
Product Data	
Order product name	7.8MR16/PER/930/F25/Dim/EC/12V 10/1FB
Full product name	7.8MR16/PER/930/F25/Dim/EC/12V 10/1FB
Order code	929003081104
Material Nr. (12NC)	929003081104
Numerator - Quantity Per Pack	1
EAN/UPC - Product/Case	046677573614
Numerator - Packs per outer box	10
EAN/UPC - Case	50046677573619

Dimensional drawing



Product	D	C
7.8MR16/PER/930/F25/Dim/EC/12V 10/1FB	50.5 mm	46 mm

Photometric data

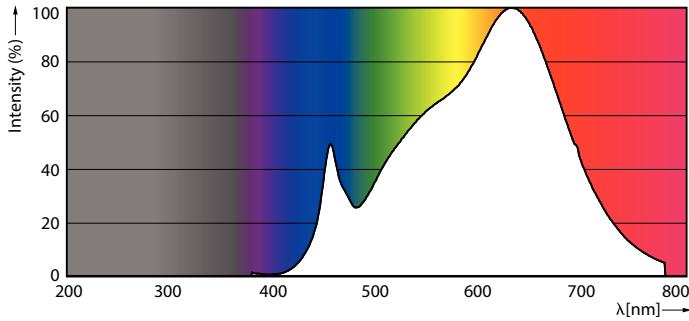


Accent Lighting Spots - 7.8MR16/PER/930/F25/Dim/EC/12V 10/1FB

Light Distribution Diagram - 7.8MR16/PER/930/F25/Dim/EC/12V 10/1FB

MASTER LED spot ExpertColor LV

Photometric data



Spectral Power Distribution Colour - 7.8MR16/PER/930/F25/Dim/EC/12V 10/1FB

Lifetime



Life Expectancy Diagram



Lumen Maintenance Diagram - 7.8MR16/PER/930/F25/Dim/EC/12V 10/1FB

