



# MASTER LED spot ExpertColor LV



## MAS LED ExpertColor 6.7-35W MR16 927 36D

MASTER, LEDspot, MR16, 35 W, GU5.3, 2700 K, 420 lm, CRI 97, 40000 hour(s), Plastic

MASTER LEDspot LV ExpertColor creates a warm and comfortable ambience for hospitality venues, homes and restaurants. It creates such an ambience with superior lighting that has a customized spectrum, high CRI, and deep dimming feature. The result? A beautiful lighting experience. What's more, the innovative, trimless lens design will suit almost any interior decor with its clean and neat look. In addition, you can take advantage of the full ExpertColor family, which also includes LEDspot MV and LEDspot Par lamps.

### Product data

General Information	
Cap-Base	GU5.3
Nominal lifetime	40,000 hour(s)
Switching Cycle	50,000
Lighting Technology	LEDspot
Flux measurement reference	Narrow Cone
Warranty period	5 years

Light Technical	
Color Code	927 [CCT of 2700K]
Beam Angle (Nom)	36 degree(s)
Luminous Flux	420 lm
Luminous Intensity (Nom)	1,300 cd
Color Designation	Warm White (WW)

Correlated Color Temperature (Nom)	2700 K
Luminous Efficacy (rated) (Nom)	62 lm/W
Color Consistency	<3
Color rendering index (CRI)	97
LLMF At End Of Nominal Lifetime (Nom)	70 %
Luminous Flux in 90° Cone (Rated)	420 lm
Photobiological safety according to EN 62471	RG1

Operating and Electrical	
Line Frequency	- Hz
Input Frequency	- Hz
Power Consumption	6.7 W
Lamp Current (Nom)	650 mA
Wattage Equivalent	35 W

# MASTER LED spot ExpertColor LV

Starting Time (Nom)	0.5 s
Warm-up time to 60% light	0.5 s
Power Factor (Fraction)	0.7
Voltage (Nom)	ac electronic 12 V

## Temperature

T-Case Maximum (Nom)	92 °C
----------------------	-------

## Controls and Dimming

Dimmable	Only with specific dimmers
----------	----------------------------

## Mechanical and Housing

Bulb Finish	Clear
Bulb Material	Plastic
Bulb Shape	MR16
Net Weight (Piece)	0.052 kg

## Approval and Application

Energy Efficiency Class	G
Suitable For Accent Lighting	Yes
Energy Consumption kWh/1000 h	7 kWh
EPREL Registration Number	624210
CE mark	Yes

EU RoHS compliant	Yes
EyeComfort	Yes
Ambient temperature range	-20 to +45 °C

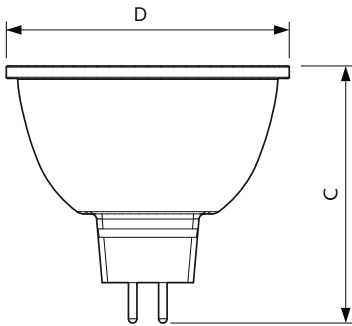
## Application Conditions

can it be used in closed luminaires	No
Wireless Technology	Not applicable

## Product Data

Order product name	MAS LED ExpertColor 6.7-35W MR16 927 36D
Full product name	MAS LED ExpertColor 6.7-35W MR16 927 36D
Full product code	871951435859100
Order code	929003079402
Material Nr. (12NC)	929003079402
Numerator - Quantity Per Pack	1
EAN/UPC - Product/Case	8719514358591
Numerator - Packs per outer box	10
EAN/UPC - Case	8719514358607

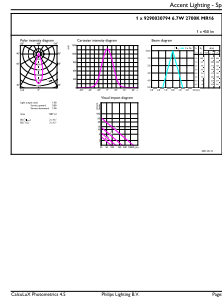
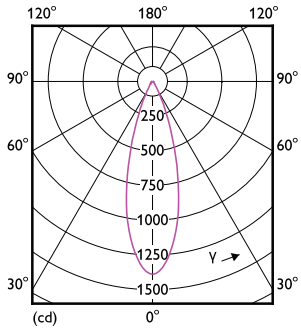
## Dimensional drawing



Product	D	C
MAS LED ExpertColor 6.7-35W MR16 927 36D	50.5 mm	46 mm

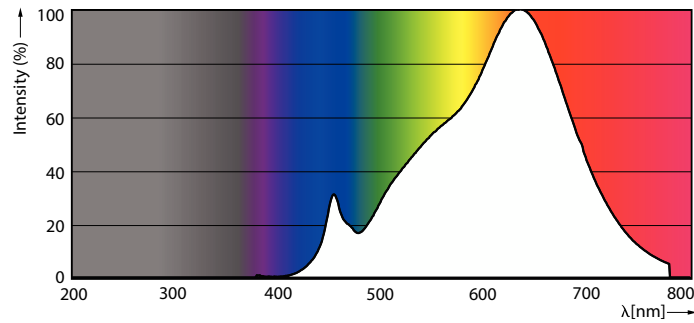
# MASTER LED spot ExpertColor LV

## Photometric data



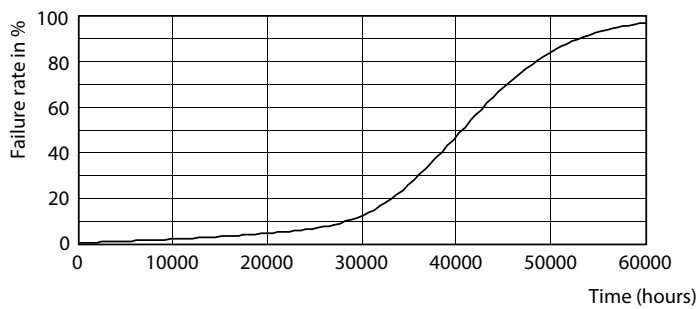
Light Distribution Diagram - MAS LED ExpertColor 6.7-35W MR16 927 36D

Accent Lighting Spots - MAS LED ExpertColor 6.7-35W MR16 927 36D

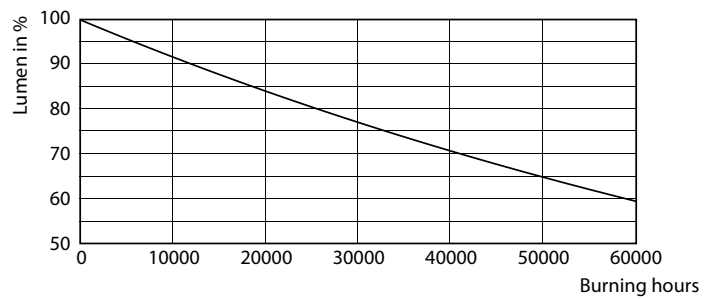


Spectral Power Distribution Colour - MAS LED ExpertColor 6.7-35W MR16 927 36D

## Lifetime



Life Expectancy Diagram



Lumen Maintenance Diagram - MAS LED ExpertColor 6.7-35W MR16 927 36D

## MASTER LED spot ExpertColor LV

