



# MASTER LED spot ExpertColor LV



## MAS LED ExpertColor 6.7-35W MR16 940 10D

MASTER, LEDspot, MR16, 35 W, GU5.3, 4000 K, 440 lm, CRI 97, 40000 hour(s), Plastic

MASTER LEDspot LV ExpertColor creates a warm and comfortable ambience for hospitality venues, homes and restaurants. It creates such an ambience with superior lighting that has a customized spectrum, high CRI, and deep dimming feature. The result? A beautiful lighting experience. What's more, the innovative, trimless lens design will suit almost any interior decor with its clean and neat look. In addition, you can take advantage of the full ExpertColor family, which also includes LEDspot MV and LEDspot Par lamps.

### Product data

General Information		Operating and Electrical	
Cap-Base	GU5.3	Correlated Color Temperature (Nom)	4000 K
Nominal lifetime	40,000 hour(s)	Luminous Efficacy (rated) (Nom)	65.00 lm/W
Switching Cycle	50,000	Color Consistency	<3
Lighting Technology	LEDspot	Color rendering index (CRI)	97
Flux measurement reference	Narrow Cone	LLMF At End Of Nominal Lifetime (Nom)	70 %
Warranty period	5 years	Luminous Flux in 90° Cone (Rated)	440 lm
		Photobiological safety according to EN 62471	RG1
Light Technical			
Color Code	940 [CCT of 4000K]	Line Frequency	- Hz
Beam Angle (Nom)	10 degree(s)	Input Frequency	- Hz
Luminous Flux	440 lm	Power Consumption	6.7 W
Luminous Intensity (Nom)	4,800 cd	Lamp Current (Nom)	650 mA
Color Designation	Cool White (CW)	Wattage Equivalent	35 W

# MASTER LED spot ExpertColor LV

Starting Time (Nom)	0.5 s
Warm-up time to 60% light	0.5 s
Power Factor (Fraction)	0.7
Voltage (Nom)	ac electronic 12 V

## Temperature

T-Case Maximum (Nom)	92 °C
----------------------	-------

## Controls and Dimming

Dimmable	Only with specific dimmers
----------	----------------------------

## Mechanical and Housing

Bulb Finish	Clear
Bulb Material	Plastic
Bulb Shape	MR16
Net Weight (Piece)	0.052 kg

## Approval and Application

Energy Efficiency Class	G
Suitable For Accent Lighting	Yes
Energy Consumption kWh/1000 h	7 kWh
EPREL Registration Number	624222

CE mark	Yes
EU RoHS compliant	Yes
EyeComfort	Yes
Ambient temperature range	-20 to +45 °C

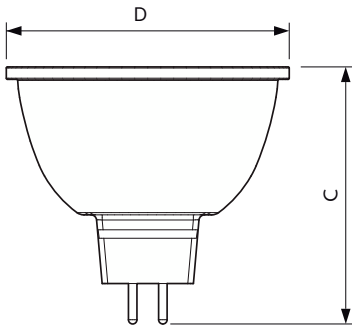
## Application Conditions

can it be used in closed luminaires	No
-------------------------------------	----

## Product Data

Order product name	MAS LED ExpertColor 6.7-35W MR16 940 10D
Full product name	MAS LED ExpertColor 6.7-35W MR16 940 10D
Full product code	871951435851500
Order code	929003079002
Material Nr. (12NC)	929003079002
Numerator - Quantity Per Pack	1
EAN/UPC - Product/Case	8719514358515
Numerator - Packs per outer box	10
EAN/UPC - Case	8719514358522

## Dimensional drawing



Product	D	C
MAS LED ExpertColor 6.7-35W MR16 940 10D	50.5 mm	46 mm



## MASTER LED spot ExpertColor LV

