



# MASTER LED spot ExpertColor LV

## MAS LED MR16 ExpertColor 6.7-50W 940 36D

LEDspot, MR16, 50 W, GU5.3, 4000 K, 480 lm, 40000 hour(s)

MASTER LEDspot LV ExpertColor creates a warm and comfortable ambience for hospitality venues, homes and restaurants. It creates such an ambience with superior lighting that has a customized spectrum, high CRI, and deep dimming feature. The result? A beautiful lighting experience. What's more, the innovative, trimless lens design will suit almost any interior decor with its clean and neat look. In addition, you can take advantage of the full ExpertColor family, which also includes LEDspot MV and LEDspot Par lamps.

### Product data

General Information		Color rendering index (CRI) 97	
Cap-Base	GU5.3	LLMF At End Of Nominal Lifetime (Nom) 70 %	
Nominal lifetime	40,000 hour(s)	Operating and Electrical	
Switching Cycle	50,000	Line Frequency	- Hz
Lighting Technology	LEDspot	Input Frequency	- Hz
Light Technical		Power Consumption	6.7 W
Color Code	940 [CCT of 4000K]	Lamp Current (Nom)	650 mA
Beam Angle (Nom)	36 degree(s)	Wattage Equivalent	50 W
Luminous Flux	480 lm	Starting Time (Nom)	0.5 s
Luminous Intensity (Nom)	1,450 cd	Warm-up time to 60% light	0.5 s
Color Designation	Cool White (CW)	Power Factor (Fraction)	0.7
Correlated Color Temperature (Nom)	4000 K	Voltage (Nom)	ac electronic 12 V
Luminous Efficacy (rated) (Nom)	71.00 lm/W		
Color Consistency	<3		

# MASTER LED spot ExpertColor LV

## Temperature

T-Case Maximum (Nom)	92 °C
----------------------	-------

## Controls and Dimming

Dimmable	Only with specific dimmers
----------	----------------------------

## Mechanical and Housing

Bulb Shape	MR16
Net Weight (Piece)	0.052 kg

## Approval and Application

Suitable For Accent Lighting	Yes
EU RoHS compliant	Yes
Ambient temperature range	-20 to +45 °C

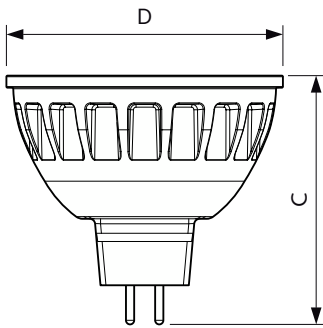
## Application Conditions

Wireless Technology	Not applicable
---------------------	----------------

## Product Data

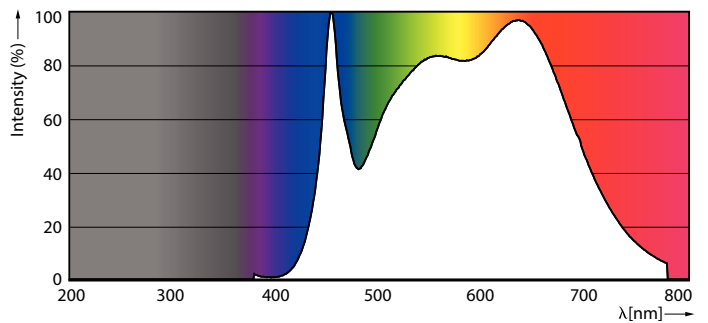
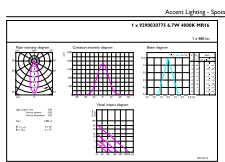
Order product name	MAS LED MR16 ExpertColor 6.7-50W 940 36D
Full product name	MAS LED MR16 ExpertColor 6.7-50W 940 36D
Full product code	871951435721100
Order code	929003077508
Material Nr. (12NC)	929003077508
Numerator - Quantity Per Pack	1
EAN/UPC - Product/Case	8719514357211
Numerator - Packs per outer box	10
EAN/UPC - Case	8719514357228

## Dimensional drawing



Product	D	C
MAS LED MR16 ExpertColor 6.7-50W 940 36D	50.5 mm	46 mm

## Photometric data

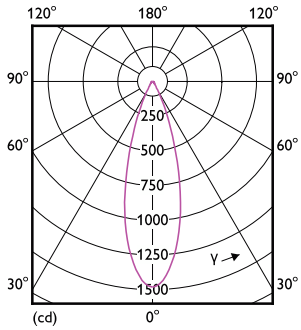


Accent Lighting Spots - MAS LED MR16 ExpertColor 6.7-50W 940 36D

Spectral Power Distribution Colour - MAS LED MR16 ExpertColor 6.7-50W 940 36D

# MASTER LED spot ExpertColor LV

## Photometric data



Light Distribution Diagram - MAS LED MR16 ExpertColor 6.7-50W 940 36D

## Lifetime



Life Expectancy Diagram



Lumen Maintenance Diagram - MAS LED MR16 ExpertColor 6.7-50W 940 36D

