



MASTER LED spot ExpertColor LV

MAS LED MR16 ExpertColor 6.7-50W 927 36D

LEDspot, MR16, 50 W, GU5.3, 2700 K, 450 lm, 40000 hour(s)

MASTER LEDspot LV ExpertColor creates a warm and comfortable ambience for hospitality venues, homes and restaurants. It creates such an ambience with superior lighting that has a customized spectrum, high CRI, and deep dimming feature. The result? A beautiful lighting experience. What's more, the innovative, trimless lens design will suit almost any interior decor with its clean and neat look. In addition, you can take advantage of the full ExpertColor family, which also includes LEDspot MV and LEDspot Par lamps.

Product data

General Information	
Cap-Base	GU5.3
Nominal lifetime	40,000 hour(s)
Switching Cycle	50,000
Lighting Technology	LEDspot

Light Technical	
Color Code	927 [CCT of 2700K]
Beam Angle (Nom)	36 degree(s)
Luminous Flux	450 lm
Luminous Intensity (Nom)	1,350 cd
Color Designation	Warm White (WW)
Correlated Color Temperature (Nom)	2700 K
Luminous Efficacy (rated) (Nom)	67.00 lm/W
Color Consistency	<3

Operating and Electrical	
Color rendering index (CRI)	97
LLMF At End Of Nominal Lifetime (Nom)	70 %
Line Frequency	- Hz
Input Frequency	- Hz
Power Consumption	6.7 W
Lamp Current (Nom)	650 mA
Wattage Equivalent	50 W
Starting Time (Nom)	0.5 s
Warm-up time to 60% light	0.5 s
Power Factor (Fraction)	0.7
Voltage (Nom)	ac electronic 12 V

MASTER LED spot ExpertColor LV

Temperature

T-Case Maximum (Nom)	92 °C
----------------------	-------

Controls and Dimming

Dimmable	Only with specific dimmers
----------	----------------------------

Mechanical and Housing

Bulb Shape	MR16
Net Weight (Piece)	0.052 kg

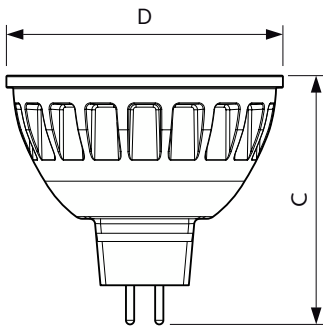
Approval and Application

Suitable For Accent Lighting	Yes
EU RoHS compliant	Yes
Ambient temperature range	-20 to +45 °C

Product Data

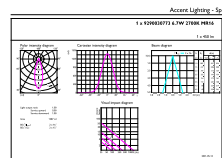
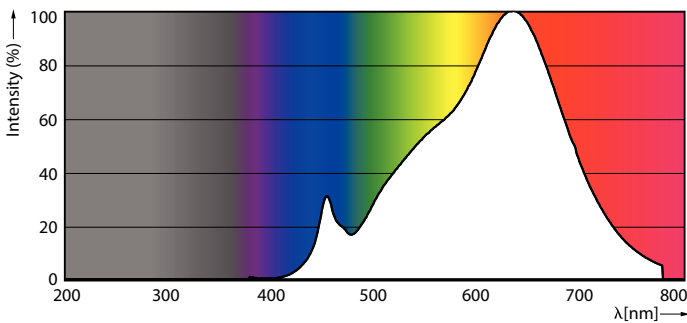
Order product name	MAS LED MR16 ExpertColor 6.7-50W 927 36D
Full product name	MAS LED MR16 ExpertColor 6.7-50W 927 36D
Full product code	871951435717400
Order code	929003077308
Material Nr. (12NC)	929003077308
Numerator - Quantity Per Pack	1
EAN/UPC - Product/Case	8719514357174
Numerator - Packs per outer box	10
EAN/UPC - Case	8719514357181

Dimensional drawing



Product	D	C
MAS LED MR16 ExpertColor 6.7-50W 927 36D	50.5 mm	46 mm

Photometric data

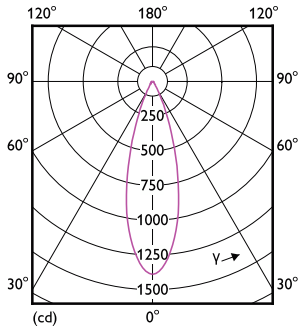


Spectral Power Distribution Colour - MAS LED MR16 ExpertColor 6.7-50W 927 36D

Accent Lighting Spots - MAS LED MR16 ExpertColor 6.7-50W 927 36D

MASTER LED spot ExpertColor LV

Photometric data



Light Distribution Diagram - MAS LED MR16 ExpertColor 6.7-50W 927 36D

Lifetime



Life Expectancy Diagram



Lumen Maintenance Diagram - MAS LED MR16 ExpertColor 6.7-50W 927 36D

