



MASTER LED spot ExpertColor LV

MAS LED MR16 ExpertColor 6.7-50W 927 10D

LEDspot, MR16, 50 W, GU5.3, 2700 K, 450 lm, 40000 hour(s)

MASTER LEDspot LV ExpertColor creates a warm and comfortable ambience for hospitality venues, homes and restaurants. It creates such an ambience with superior lighting that has a customized spectrum, high CRI, and deep dimming feature. The result? A beautiful lighting experience. What's more, the innovative, trimless lens design will suit almost any interior decor with its clean and neat look. In addition, you can take advantage of the full ExpertColor family, which also includes LEDspot MV and LEDspot Par lamps.

Product data

General Information		Color rendering index (CRI) 97	
Cap-Base	GU5.3	LLMF At End Of Nominal Lifetime (Nom) 70 %	
Nominal lifetime	40.000 hour(s)	Operating and Electrical	
Switching Cycle	50,000	Line Frequency	- Hz
Lighting Technology	LEDspot	Input Frequency	- Hz
Light Technical		Power Consumption	6.7 W
Color Code	927 [CCT of 2700K]	Lamp Current (Nom)	650 mA
Beam Angle (Nom)	10 degree(s)	Wattage Equivalent	50 W
Luminous Flux	450 lm	Starting Time (Nom)	0.5 s
Luminous Intensity (Nom)	4,500 cd	Warm-up time to 60% light	0.5 s
Color Designation	Warm White (WW)	Power Factor (Fraction)	0.7
Correlated Color Temperature (Nom)	2700 K	Voltage (Nom)	ac electronic 12 V
Luminous Efficacy (rated) (Nom)	67.00 lm/W		
Color Consistency	<3		

MASTER LED spot ExpertColor LV

Temperature

T-Case Maximum (Nom)	92 °C
----------------------	-------

Controls and Dimming

Dimmable	Only with specific dimmers
----------	----------------------------

Mechanical and Housing

Bulb Shape	MR16
Net Weight (Piece)	0.052 kg

Approval and Application

Suitable For Accent Lighting	Yes
EU RoHS compliant	Yes
Ambient temperature range	-20 to +45 °C

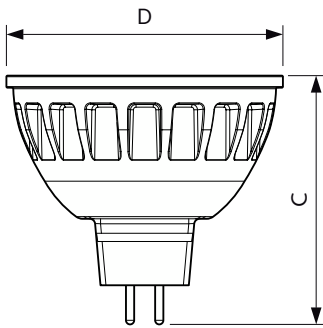
Application Conditions

Wireless Technology	Not applicable
---------------------	----------------

Product Data

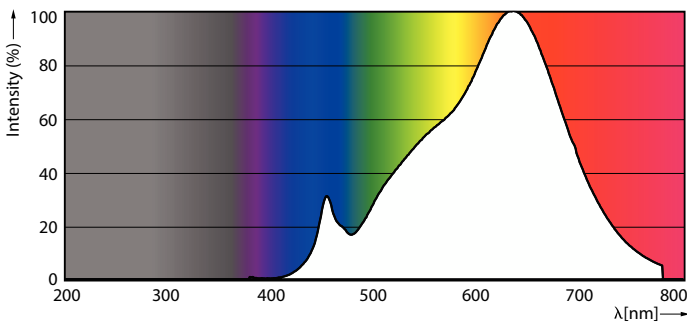
Order product name	MAS LED MR16 ExpertColor 6.7-50W 927 10D
Full product name	MAS LED MR16 ExpertColor 6.7-50W 927 10D
Full product code	692234193696800
Order code	929003076710
Material Nr. (12NC)	929003076710
Numerator - Quantity Per Pack	1
EAN/UPC - Product/Case	6922341936968
Numerator - Packs per outer box	10
EAN/UPC - Case	6922341936975

Dimensional drawing

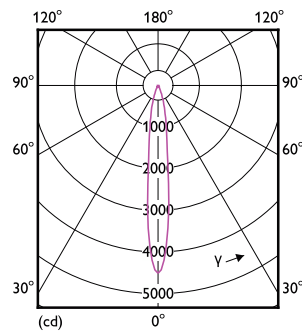


Product	D	C
MAS LED MR16 ExpertColor 6.7-50W 927 10D	50.5 mm	46 mm

Photometric data



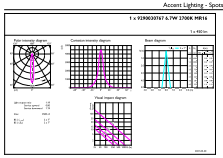
Spectral Power Distribution Colour - MAS LED MR16 ExpertColor 6.7-50W 927 10D



Light Distribution Diagram - MAS LED MR16 ExpertColor 6.7-50W 927 10D

MASTER LED spot ExpertColor LV

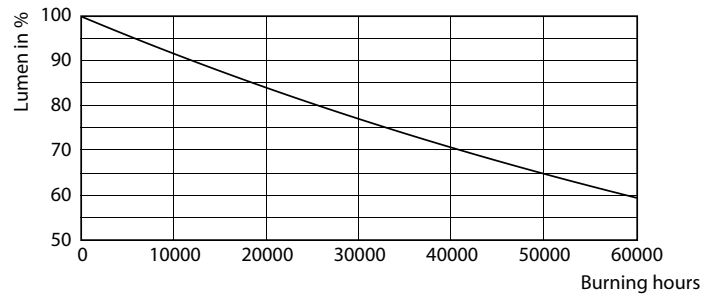
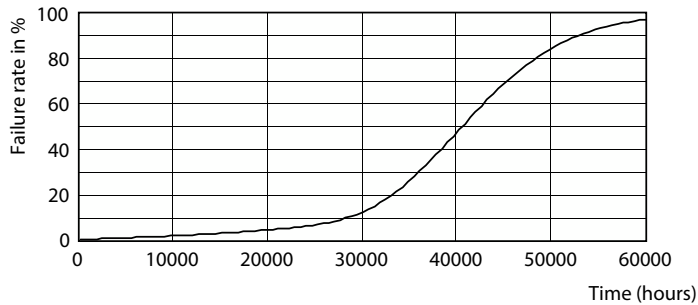
Photometric data



© 2024 Philips Lighting B.V. All rights reserved. Philips Lighting B.V. is a registered trademark of Koninklijke Philips N.V.

Accent Lighting Spots - MAS LED MR16 ExpertColor 6.7-50W 927 10D

Lifetime



Life Expectancy Diagram

Lumen Maintenance Diagram - MAS LED MR16 ExpertColor 6.7-50W 927 10D

