



MASTER LED spot LV

7MR16/LED/830/F25/DIM 12V 10/1FB

LEDspot, MR16, 50 W, GU5.3, 3000 K, 515 lm, 25000 hour(s), Aluminum

Delivering intense accent beam, MASTER LEDspot LV is an ideal retrofit solution for spot lighting. MASTER LEDspot LV is designed to replace halogen or incandescent spots. It realizes natural colors, enables cozy and comfortable ambience for residential, hospitality and emphasizes the beauty of merchandise in retail. New smaller housing provides perfect fitting with majority of luminaires in a market with a MR16 GU 5.3 holder. It not only employs Philips' patented solution to guarantee the broadest possible compatibility with standard 12V halogen electronic transformers, it also delivers high beam intensity which is equivalent to halogen MR16 spots. The dimming function enables to create the desired atmosphere and it works with broad selection of dimmers. Its high SDCM ensure stricter color consistency, that is maintained over product life. MASTER LEDspot LV delivers huge energy savings and minimizes maintenance cost without any compromise on light quality and lifetime, enabling residential and business owners to achieve a return on their investment within short period time.

Product data

General Information			
Cap-Base	GU5.3	Luminous Intensity (Nom)	2,500 cd
Nominal lifetime	25,000 hour(s)	Color Designation	White (WH)
Switching Cycle	50,000	Correlated Color Temperature (Nom)	3000 K
Lighting Technology	LEDspot	Luminous Efficacy (rated) (Nom)	73.00 lm/W
		Color Consistency	<4
		Color rendering index (CRI)	80
		LLMF At End Of Nominal Lifetime (Nom)	70 %
Light Technical		Operating and Electrical	
Color Code	830 [CCT of 3000K]	Line Frequency	- Hz
Beam Angle (Nom)	25 degree(s)		
Luminous Flux	515 lm		

MASTER LED spot LV

Input Frequency	- Hz
Power Consumption	7 W
Lamp Current (Nom)	650 mA
Wattage Equivalent	50 W
Starting Time (Nom)	0.5 s
Warm-up time to 60% light	0.5 s
Power Factor (Fraction)	0.7
Voltage (Nom)	ac electronic 12 V

Temperature

T-Case Maximum (Nom)	90 °C
----------------------	-------

Controls and Dimming

Dimmable	Only with specific dimmers
----------	----------------------------

Mechanical and Housing

Bulb Finish	Clear
Bulb Material	Aluminum
Bulb Shape	MR16
UL Wet/ damp/ dry location	Damp location
Net Weight (Piece)	0.060 kg

Approval and Application

Suitable For Accent Lighting	Yes
EU RoHS compliant	Yes
T20 compliant	No
Ambient temperature range	-20 to +45 °C

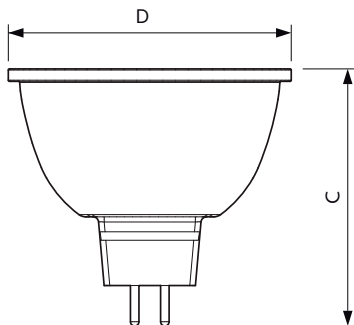
Application Conditions

can it be used in closed luminaires	Yes
Wireless Technology	Not applicable

Product Data

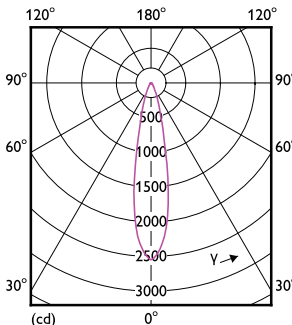
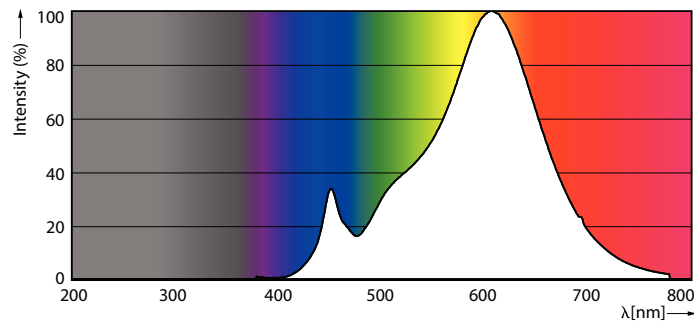
Order product name	7MR16/LED/830/F25/DIM 12V 10/1FB
Full product name	7MR16/LED/830/F25/DIM 12V 10/1FB
Order code	929003076304
Material Nr. (12NC)	929003076304
Numerator - Quantity Per Pack	1
EAN/UPC - Product/Case	046677573874
Numerator - Packs per outer box	10
EAN/UPC - Case	50046677573879

Dimensional drawing



Product	D	C
7MR16/LED/830/F25/DIM 12V 10/1FB	50 mm	46.5 mm

Photometric data

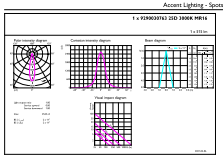


Spectral Power Distribution Colour - 7MR16/LED/830/F25/DIM 12V 10/1FB

Light Distribution Diagram - 7MR16/LED/830/F25/DIM 12V 10/1FB

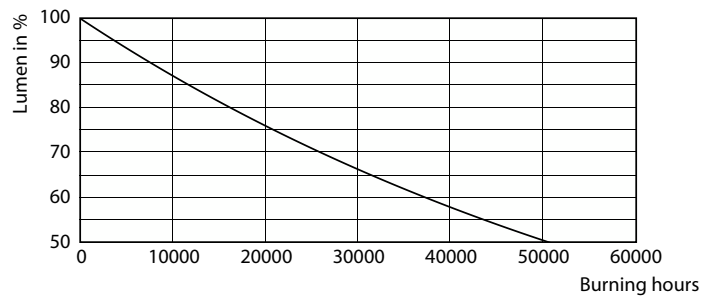
MASTER LED spot LV

Photometric data



Accent Lighting Spots - 7MR16/LED/830/F25/DIM 12V 10/1FB

Lifetime



Life Expectancy Diagram

Lumen Maintenance Diagram - 7MR16/LED/830/F25/DIM 12V 10/1FB

