



MASTER LED spot LV

MASTER LED 6.5-50W 927 MR16 60D Dim

LEDspot, MR16, 50 W, GU5.3, 2700 K, 500 lm, 40000 hour(s)

LEDspot, MR16, 50 W, GU5.3, 2700 K, 500 lm, 40000 hour(s), 76.00 lm/W

Product data

General Information	
Cap-Base	GU5.3
Nominal lifetime	40,000 hour(s)
Switching Cycle	50,000
Lighting Technology	LEDspot

Light Technical	
Color Code	927 [CCT of 2700K]
Beam Angle (Nom)	60 degree(s)
Luminous Flux	500 lm
Luminous Intensity (Nom)	500 cd
Color Designation	Warm White (WW)
Correlated Color Temperature (Nom)	2700 K
Luminous Efficacy (rated) (Nom)	76.00 lm/W
Color Consistency	<4
Color rendering index (CRI)	90
LLMF At End Of Nominal Lifetime (Nom)	70 %

Operating and Electrical	
Line Frequency	- Hz
Input Frequency	- Hz
Power Consumption	6.5 W
Lamp Current (Nom)	650 mA

Wattage Equivalent	50 W
Starting Time (Nom)	0.5 s
Warm-up time to 60% light	0.5 s
Power Factor (Fraction)	0.7
Voltage (Nom)	ac electronic 12 V

Temperature	
T-Case Maximum (Nom)	90 °C

Controls and Dimming	
Dimmable	Only with specific dimmers

Mechanical and Housing	
Bulb Shape	MR16
Net Weight (Piece)	0.060 kg

Approval and Application	
Suitable For Accent Lighting	Yes
EU RoHS compliant	Yes
Ambient temperature range	-20 to +45 °C

MASTER LED spot LV

Application Conditions

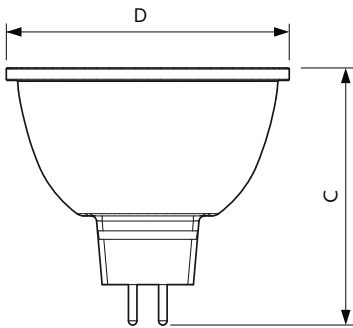
Wireless Technology Not applicable

Product Data

Order product name	MASTER LED 6.5-50W 927 MR16 60D Dim
Full product name	MASTER LED 6.5-50W 927 MR16 60D Dim
Full product code	871951435799000
Order code	929003075908

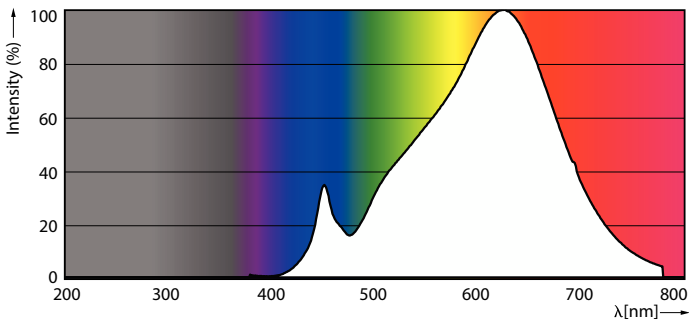
Material Nr. (12NC)	929003075908
Numerator - Quantity Per Pack	1
EAN/UPC - Product/Case	8719514357990
Numerator - Packs per outer box	10
EAN/UPC - Case	8719514358003

Dimensional drawing

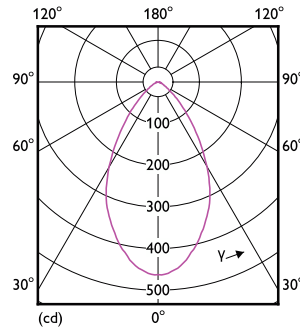


Product	D	C
MASTER LED 6.5-50W 927 MR16 60D Dim	50 mm	46.5 mm

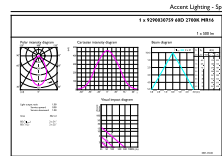
Photometric data



Spectral Power Distribution Colour - MASTER LED 6.5-50W 927 MR16 60D Dim



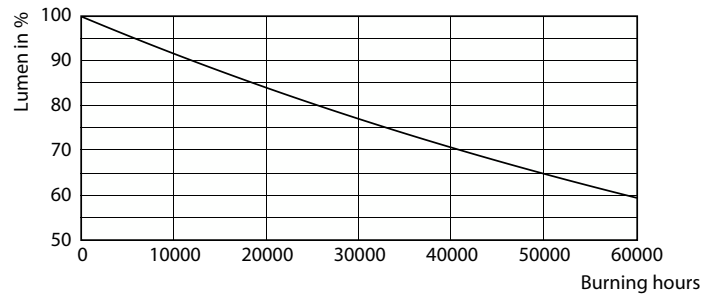
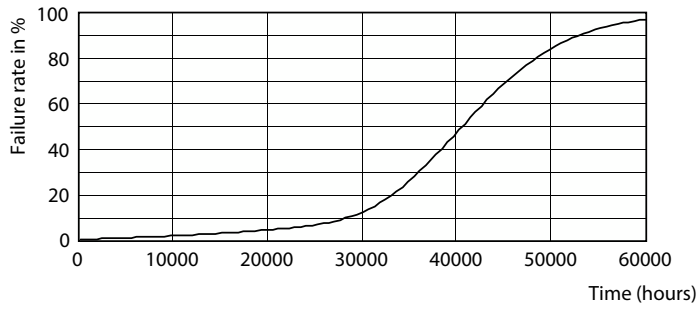
Light Distribution Diagram - MASTER LED 6.5-50W 927 MR16 60D Dim



Accent Lighting Spots - MASTER LED 6.5-50W 927 MR16 60D Dim

MASTER LED spot LV

Lifetime



Life Expectancy Diagram

Lumen Maintenance Diagram - MASTER LED 6.5-50W 927 MR16 60D Dim

