



MASTER LED spot LV

8MR16/LED/840/F35/DIM 12V 10/1FB

LEDspot, MR16, 75 W, GU5.3, 4000 K, 660 lm, 25000 hour(s), Aluminum

LEDspot, MR16, 75 W, GU5.3, 4000 K, 660 lm, 25000 hour(s), Aluminum, 82.00 lm/W

Product data

General Information	
Cap-Base	GU5.3
Nominal lifetime	25,000 hour(s)
Switching Cycle	50,000
Lighting Technology	LEDspot
Light Technical	
Color Code	840 [CCT of 4000K]
Beam Angle (Nom)	35 degree(s)
Luminous Flux	660 lm
Luminous Intensity (Nom)	1,800 cd
Color Designation	Cool White (CW)
Correlated Color Temperature (Nom)	4000 K
Luminous Efficacy (rated) (Nom)	82.00 lm/W
Color Consistency	<4
Color rendering index (CRI)	80
LLMF At End Of Nominal Lifetime (Nom)	70 %
Operating and Electrical	
Line Frequency	- Hz
Input Frequency	- Hz

Power Consumption	8 W
Lamp Current (Nom)	720 mA
Wattage Equivalent	75 W
Starting Time (Nom)	0.5 s
Warm-up time to 60% light	0.5 s
Power Factor (Fraction)	0.7
Voltage (Nom)	ac electronic 12 V
Temperature	
T-Case Maximum (Nom)	93 °C
Controls and Dimming	
Dimmable	Only with specific dimmers
Mechanical and Housing	
Bulb Finish	Clear
Bulb Material	Aluminum
Bulb Shape	MR16
UL Wet/ damp/ dry location	Damp location
Net Weight (Piece)	0.060 kg

MASTER LED spot LV

Approval and Application

Suitable For Accent Lighting	Yes
EU RoHS compliant	Yes
T20 compliant	No
Ambient temperature range	-20 to +45 °C

Application Conditions

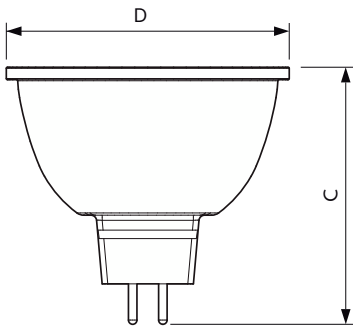
can it be used in closed luminaires	Yes
Wireless Technology	Not applicable

Product Data

Order product name	8MR16/LED/840/F35/DIM 12V 10/1FB
--------------------	----------------------------------

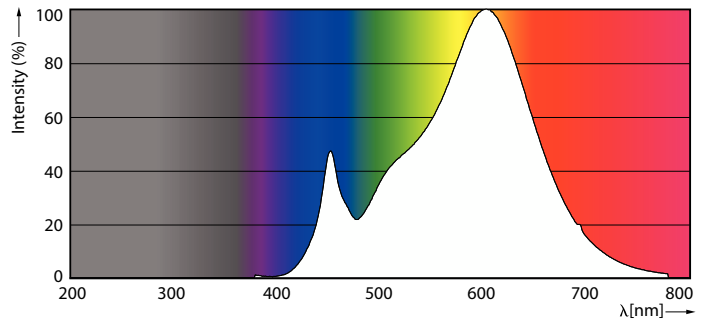
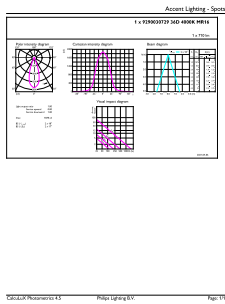
Full product name	8MR16/LED/840/F35/DIM 12V 10/1FB
Order code	929003072904
Material Nr. (12NC)	929003072904
Numerator - Quantity Per Pack	1
EAN/UPC - Product/Case	046677573959
Numerator - Packs per outer box	10
EAN/UPC - Case	50046677573954

Dimensional drawing



Product	D	C
8MR16/LED/840/F35/DIM 12V 10/1FB	50 mm	46.5 mm

Photometric data

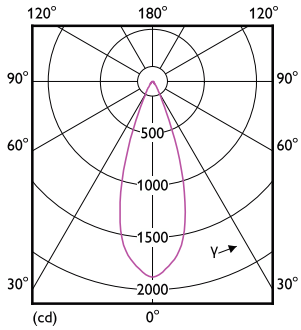


Accent Lighting Spots - 8MR16/LED/840/F35/DIM 12V 10/1FB

Spectral Power Distribution Colour - 8MR16/LED/840/F35/DIM 12V 10/1FB

MASTER LED spot LV

Photometric data



Light Distribution Diagram - 8MR16/LED/840/F35/DIM 12V 10/1FB

Lifetime



Life Expectancy Diagram



Lumen Maintenance Diagram - 8MR16/LED/840/F35/DIM 12V 10/1FB

