



# MASTER LED spot LV

## MASTER LED 8-50W+ 827 MR16 36D Dim

LEDspot, MR16, 50 W, GU5.3, 2700 K, 660 lm, 40000 hour(s)

LEDspot, MR16, 50 W, GU5.3, 2700 K, 660 lm, 40000 hour(s), 82.00 lm/W

### Product data

General Information		Wattage Equivalent	
Cap-Base	GU5.3		50 W
Nominal lifetime	40,000 hour(s)	Starting Time (Nom)	0.5 s
Switching Cycle	50,000	Warm-up time to 60% light	0.5 s
Lighting Technology	LEDspot	Power Factor (Fraction)	0.7
		Voltage (Nom)	ac electronic 12 V
Light Technical		Temperature	
Color Code	827 [CCT of 2700K]	T-Case Maximum (Nom)	93 °C
Beam Angle (Nom)	36 degree(s)		
Luminous Flux	660 lm	Controls and Dimming	
Luminous Intensity (Nom)	1,700 cd	Dimmable	Only with specific dimmers
Color Designation	Warm White (WW)		
Correlated Color Temperature (Nom)	2700 K	Mechanical and Housing	
Luminous Efficacy (rated) (Nom)	82.00 lm/W	Bulb Shape	MR16
Color Consistency	<4	Net Weight (Piece)	0.060 kg
Color rendering index (CRI)	80		
LLMF At End Of Nominal Lifetime (Nom)	70 %	Approval and Application	
Operating and Electrical		Suitable For Accent Lighting	Yes
Line Frequency	- Hz	EU RoHS compliant	Yes
Input Frequency	- Hz	Ambient temperature range	-20 to +45 °C
Power Consumption	8 W		
Lamp Current (Nom)	720 mA		

# MASTER LED spot LV

## Application Conditions

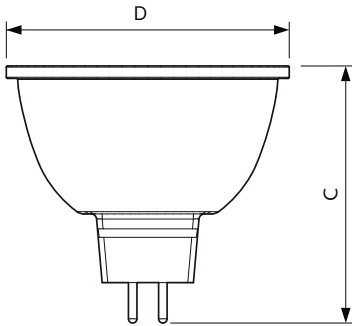
Wireless Technology Not applicable

## Product Data

Order product name	MASTER LED 8-50W+ 827 MR16 36D Dim
Full product name	MASTER LED 8-50W+ 827 MR16 36D Dim
Full product code	871951439805400
Order code	929003072717

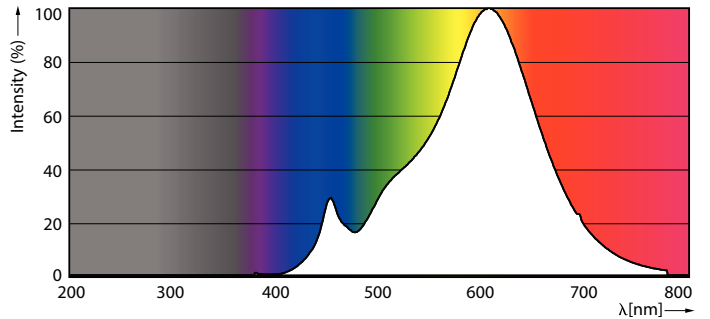
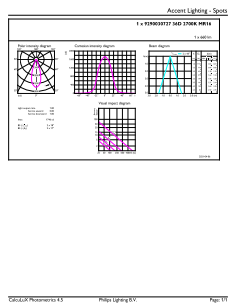
Material Nr. (12NC)	929003072717
Numerator - Quantity Per Pack	1
EAN/UPC - Product/Case	8719514398054
Numerator - Packs per outer box	10
EAN/UPC - Case	8719514398061

## Dimensional drawing



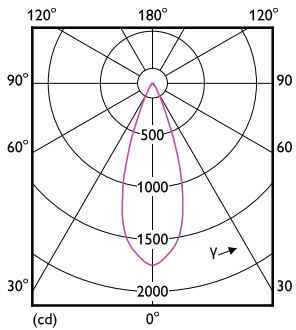
Product	D	C
MASTER LED 8-50W+ 827 MR16 36D Dim	50 mm	46.5 mm

## Photometric data



Accent Lighting Spots - MASTER LED 8-50W+ 827 MR16 36D Dim

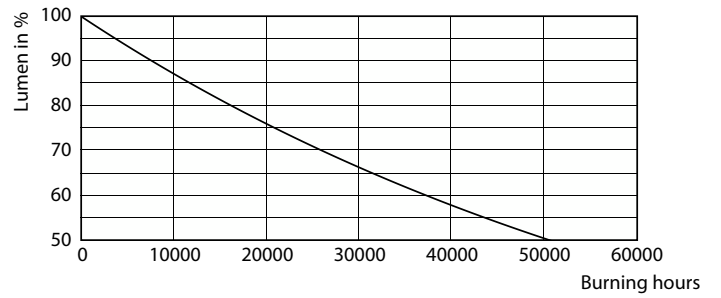
Spectral Power Distribution Colour - MASTER LED 8-50W+ 827 MR16 36D Dim



Light Distribution Diagram - MASTER LED 8-50W+ 827 MR16 36D Dim

# MASTER LED spot LV

## Lifetime



Life Expectancy Diagram

Lumen Maintenance Diagram - MASTER LED 8-50W+ 827 MR16 36D Dim

