



MASTER LED spot LV

MASTER LED 7.5-50W+ 830 MR16 24D Dim CN

LEDspot, MR16, 50 W, GU5.3, 3000 K, 660 lm, 40000 hour(s)

Delivering intense accent beam, MASTER LEDspot LV is an ideal retrofit solution for spot lighting. MASTER LEDspot LV is designed to replace halogen or incandescent spots. It realizes natural colors, enables cozy and comfortable ambience for residential, hospitality and emphasizes the beauty of merchandise in retail. New smaller housing provides perfect fitting with majority of luminaires in a market with a MR16 GU 5.3 holder. It not only employs Philips' patented solution to guarantee the broadest possible compatibility with standard 12V halogen electronic transformers, it also delivers high beam intensity which is equivalent to halogen MR16 spots. The dimming function enables to create the desired atmosphere and it works with broad selection of dimmers. Its high SDCM ensure stricter color consistency, that is maintained over product life. MASTER LEDspot LV delivers huge energy savings and minimizes maintenance cost without any compromise on light quality and lifetime, enabling residential and business owners to achieve a return on their investment within short period time.

Product data

General Information	
Cap-Base	GU5.3
Nominal lifetime	40,000 hour(s)
Switching Cycle	50,000
Lighting Technology	LEDspot
Light Technical	
Color Code	830 [CCT of 3000K]
Beam Angle (Nom)	24 degree(s)
Luminous Flux	660 lm
Luminous Intensity (Nom)	3,250 cd

Color Designation	White (WH)
Correlated Color Temperature (Nom)	3000 K
Luminous Efficacy (rated) (Nom)	88.00 lm/W
Color Consistency	<4
Color rendering index (CRI)	80
LLMF At End Of Nominal Lifetime (Nom)	70 %
Operating and Electrical	
Line Frequency	- Hz
Input Frequency	- Hz
Power Consumption	7.5 W

MASTER LED spot LV

Lamp Current (Nom)	720 mA
Wattage Equivalent	50 W
Starting Time (Nom)	0.5 s
Warm-up time to 60% light	0.5 s
Power Factor (Fraction)	0.7
Voltage (Nom)	ac electronic 12 V

Temperature

T-Case Maximum (Nom)	93 °C
----------------------	-------

Controls and Dimming

Dimmable	Only with specific dimmers
----------	----------------------------

Mechanical and Housing

Bulb Shape	MR16
Net Weight (Piece)	0.052 kg

Approval and Application

Suitable For Accent Lighting	Yes
------------------------------	-----

EU RoHS compliant	Yes
Ambient temperature range	-20 to +45 °C

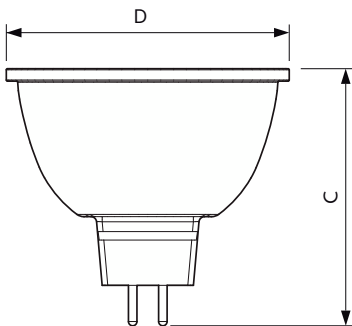
Application Conditions

Wireless Technology	Not applicable
---------------------	----------------

Product Data

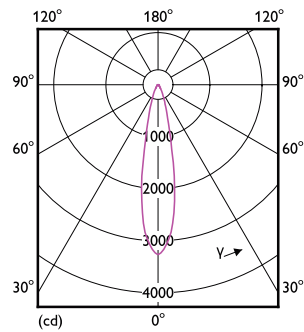
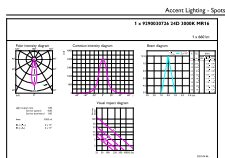
Order product name	MASTER LED 7.5-50W+ 830 MR16 24D Dim CN
Full product name	MASTER LED 7.5-50W+ 830 MR16 24D Dim CN
Full product code	692234193738500
Order code	929003072610
Material Nr. (12NC)	929003072610
Numerator - Quantity Per Pack	1
EAN/UPC - Product/Case	6922341937385
Numerator - Packs per outer box	10
EAN/UPC - Case	6922341937392

Dimensional drawing



Product	D	C
MASTER LED 7.5-50W+ 830 MR16 24D Dim CN	50 mm	46.5 mm

Photometric data

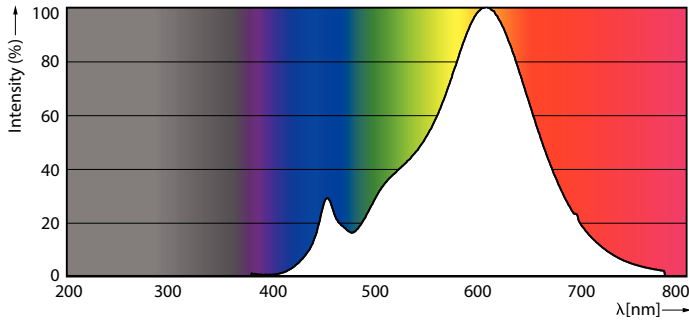


Accent Lighting Spots - MASTER LED 7.5-50W+ 830 MR16 24D Dim CN

Light Distribution Diagram - MASTER LED 7.5-50W+ 830 MR16 24D Dim CN

MASTER LED spot LV

Photometric data



Spectral Power Distribution Colour - MASTER LED 7.5-50W+ 830 MR16 24D Dim CN

Lifetime



Life Expectancy Diagram



Lumen Maintenance Diagram - MASTER LED 7.5-50W+ 830 MR16 24D Dim CN

