



# MASTER LED spot LV

## MASTER LED 6.5-50W 940 MR16 36D Dim

LEDspot, MR16, 50 W, GU5.3, 4000 K, 530 lm, 40000 hour(s)

LEDspot, MR16, 50 W, GU5.3, 4000 K, 530 lm, 40000 hour(s), 81.00 lm/W

### Product data

General Information	
Cap-Base	GU5.3
Nominal lifetime	40,000 hour(s)
Switching Cycle	50,000
Lighting Technology	LEDspot
Warranty period	3 years

Light Technical	
Color Code	940 [CCT of 4000K]
Beam Angle (Nom)	36 degree(s)
Luminous Flux	530 lm
Luminous Intensity (Nom)	1,600 cd
Color Designation	Cool White (CW)
Correlated Color Temperature (Nom)	4000 K
Luminous Efficacy (rated) (Nom)	81.00 lm/W
Color Consistency	<4
Color rendering index (CRI)	90
LLMF At End Of Nominal Lifetime (Nom)	70 %

Operating and Electrical	
Line Frequency	- Hz
Input Frequency	- Hz
Power Consumption	6.5 W

Lamp Current (Nom)	650 mA
Wattage Equivalent	50 W
Starting Time (Nom)	0.5 s
Warm-up time to 60% light	0.5 s
Power Factor (Fraction)	0.7
Voltage (Nom)	ac electronic 12 V

Temperature	
T-Case Maximum (Nom)	90 °C

Controls and Dimming	
Dimmable	Only with specific dimmers

Mechanical and Housing	
Bulb Shape	MR16
Net Weight (Piece)	0.060 kg

Approval and Application	
Suitable For Accent Lighting	Yes
EU RoHS compliant	Yes
Ambient temperature range	-20 to +45 °C

# MASTER LED spot LV

## Application Conditions

Wireless Technology Not applicable

## Product Data

Order product name	MASTER LED 6.5-50W 940 MR16 36D Dim
Full product name	MASTER LED 6.5-50W 940 MR16 36D Dim
Full product code	871951435795200
Order code	929003072408

Material Nr. (12NC) 929003072408

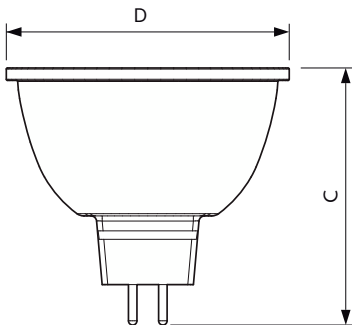
Numerator - Quantity Per Pack 1

EAN/UPC - Product/Case 8719514357952

Numerator - Packs per outer box 10

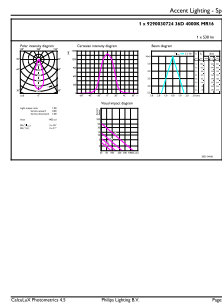
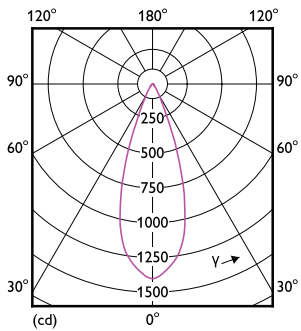
EAN/UPC - Case 8719514357969

## Dimensional drawing



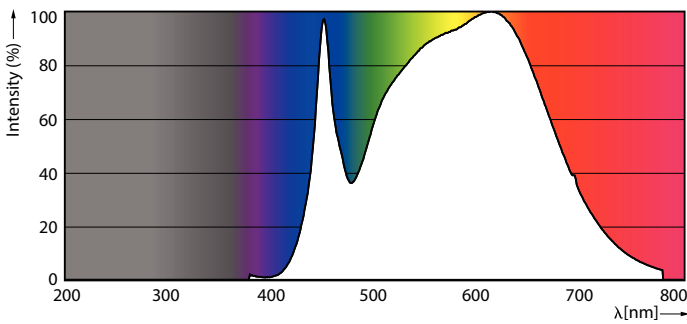
Product	D	C
MASTER LED 6.5-50W 940 MR16 36D Dim	50 mm	46.5 mm

## Photometric data



Light Distribution Diagram - MASTER LED 6.5-50W 940 MR16 36D Dim

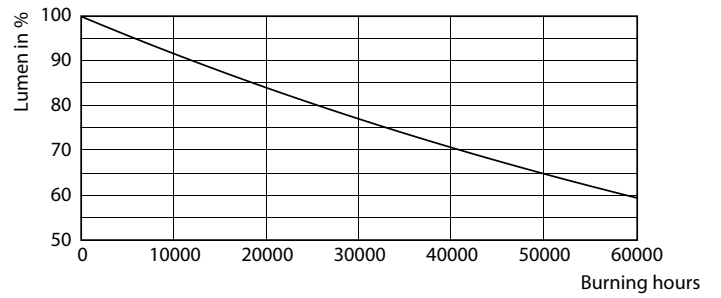
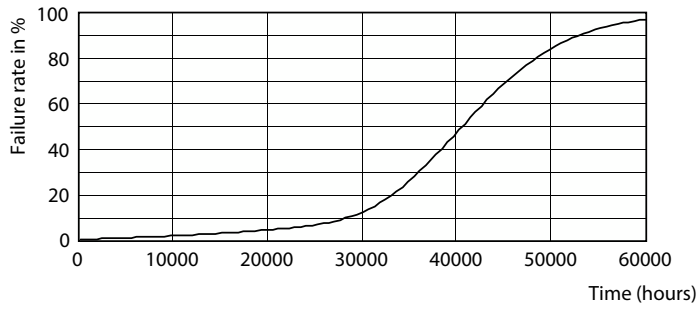
Accent Lighting Spots - MASTER LED 6.5-50W 940 MR16 36D Dim



Spectral Power Distribution Colour - MASTER LED 6.5-50W 940 MR16 36D Dim

# MASTER LED spot LV

## Lifetime



Life Expectancy Diagram

Lumen Maintenance Diagram - MASTER LED 6.5-50W 940 MR16 36D Dim

