



MASTER LED spot LV

MASTER LED 6.5-50W 930 MR16 36D Dim

LEDspot, MR16, 50 W, GU5.3, 3000 K, 500 lm, 40000 hour(s)

LEDspot, MR16, 50 W, GU5.3, 3000 K, 500 lm, 40000 hour(s), 76.00 lm/W

Product data

General Information		Wattage Equivalent	
Cap-Base	GU5.3		50 W
Nominal lifetime	40,000 hour(s)	Starting Time (Nom)	0.5 s
Switching Cycle	50,000	Warm-up time to 60% light	0.5 s
Lighting Technology	LEDspot	Power Factor (Fraction)	0.7
		Voltage (Nom)	ac electronic 12 V
Light Technical		Temperature	
Color Code	930 [CCT of 3000K]	T-Case Maximum (Nom)	90 °C
Beam Angle (Nom)	36 degree(s)		
Luminous Flux	500 lm	Controls and Dimming	
Luminous Intensity (Nom)	1,600 cd	Dimmable	Only with specific dimmers
Color Designation	White (WH)		
Correlated Color Temperature (Nom)	3000 K	Mechanical and Housing	
Luminous Efficacy (rated) (Nom)	76.00 lm/W	Bulb Shape	MR16
Color Consistency	<4	Net Weight (Piece)	0.060 kg
Color rendering index (CRI)	90		
LLMF At End Of Nominal Lifetime (Nom)	70 %	Approval and Application	
Operating and Electrical		Suitable For Accent Lighting	Yes
Line Frequency	- Hz	EU RoHS compliant	Yes
Input Frequency	- Hz	Ambient temperature range	-20 to +45 °C
Power Consumption	6.5 W		
Lamp Current (Nom)	650 mA		

MASTER LED spot LV

Application Conditions

Wireless Technology Not applicable

Product Data

Order product name	MASTER LED 6.5-50W 930 MR16 36D Dim
Full product name	MASTER LED 6.5-50W 930 MR16 36D Dim
Full product code	871951435791400
Order code	929003072308

Material Nr. (12NC) 929003072308

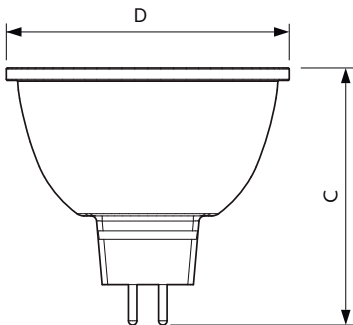
Numerator - Quantity Per Pack 1

EAN/UPC - Product/Case 8719514357914

Numerator - Packs per outer box 10

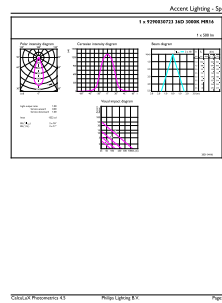
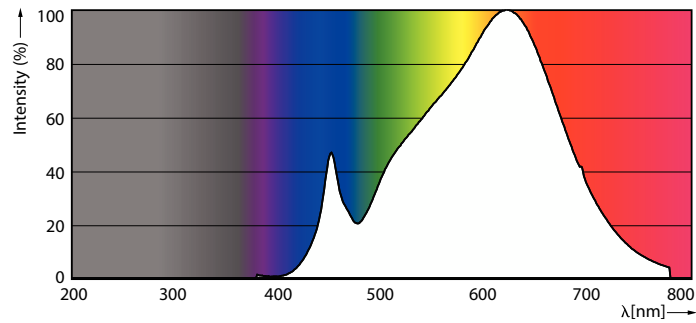
EAN/UPC - Case 8719514357921

Dimensional drawing



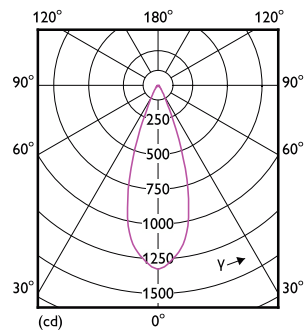
Product	D	C
MASTER LED 6.5-50W 930 MR16 36D Dim	50 mm	46.5 mm

Photometric data



Spectral Power Distribution Colour - MASTER LED 6.5-50W 930 MR16 36D Dim

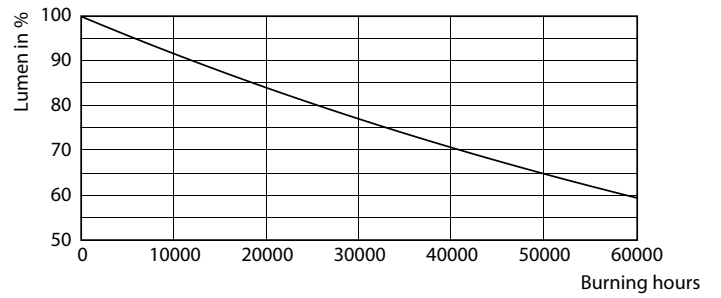
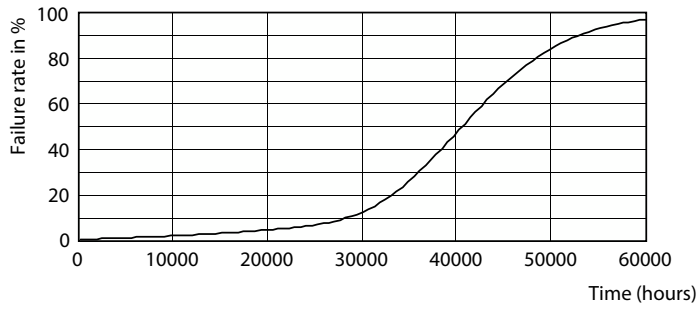
Accent Lighting Spots - MASTER LED 6.5-50W 930 MR16 36D Dim



Light Distribution Diagram - MASTER LED 6.5-50W 930 MR16 36D Dim

MASTER LED spot LV

Lifetime



Life Expectancy Diagram

Lumen Maintenance Diagram - MASTER LED 6.5-50W 930 MR16 36D Dim

