



# MASTER LED spot LV

## MASTER LED 6.5-50W 930 MR16 24D Dim CN

LEDspot, MR16, 50 W, GU5.3, 3000 K, 500 lm, 40000 hour(s)

LEDspot, MR16, 50 W, GU5.3, 3000 K, 500 lm, 40000 hour(s), 76.00 lm/W

### Product data

| General Information |                |
|---------------------|----------------|
| Cap-Base            | GU5.3          |
| Nominal lifetime    | 40,000 hour(s) |
| Switching Cycle     | 50,000         |
| Lighting Technology | LEDspot        |

| Light Technical                       |                    |
|---------------------------------------|--------------------|
| Color Code                            | 930 [CCT of 3000K] |
| Beam Angle (Nom)                      | 24 degree(s)       |
| Luminous Flux                         | 500 lm             |
| Luminous Intensity (Nom)              | 2,800 cd           |
| Color Designation                     | White (WH)         |
| Correlated Color Temperature (Nom)    | 3000 K             |
| Luminous Efficacy (rated) (Nom)       | 76.00 lm/W         |
| Color Consistency                     | <4                 |
| Color rendering index (CRI)           | 90                 |
| LLMF At End Of Nominal Lifetime (Nom) | 70 %               |

| Operating and Electrical |        |
|--------------------------|--------|
| Line Frequency           | - Hz   |
| Input Frequency          | - Hz   |
| Power Consumption        | 6.5 W  |
| Lamp Current (Nom)       | 650 mA |

|                           |                    |
|---------------------------|--------------------|
| Wattage Equivalent        | 50 W               |
| Starting Time (Nom)       | 0.5 s              |
| Warm-up time to 60% light | 0.5 s              |
| Power Factor (Fraction)   | 0.7                |
| Voltage (Nom)             | ac electronic 12 V |

| Temperature          |       |
|----------------------|-------|
| T-Case Maximum (Nom) | 90 °C |

| Controls and Dimming |                            |
|----------------------|----------------------------|
| Dimmable             | Only with specific dimmers |

| Mechanical and Housing |          |
|------------------------|----------|
| Bulb Shape             | MR16     |
| Net Weight (Piece)     | 0.052 kg |

| Approval and Application     |               |
|------------------------------|---------------|
| Suitable For Accent Lighting | Yes           |
| EU RoHS compliant            | Yes           |
| Ambient temperature range    | -20 to +45 °C |

# MASTER LED spot LV

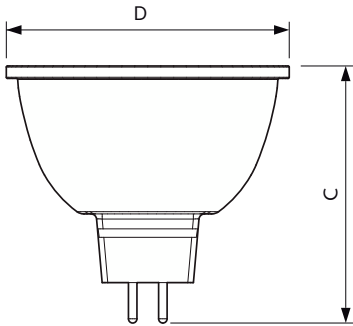
| Application Conditions |                |
|------------------------|----------------|
| Wireless Technology    | Not applicable |

| Product Data       |  |
|--------------------|--|
| Order product name | MASTER LED 6.5-50W 930 MR16 24D Dim CN |
| Full product name  | MASTER LED 6.5-50W 930 MR16 24D Dim CN |
| Full product code  | 692234193726200                        |
| Order code         | 929003072010                           |

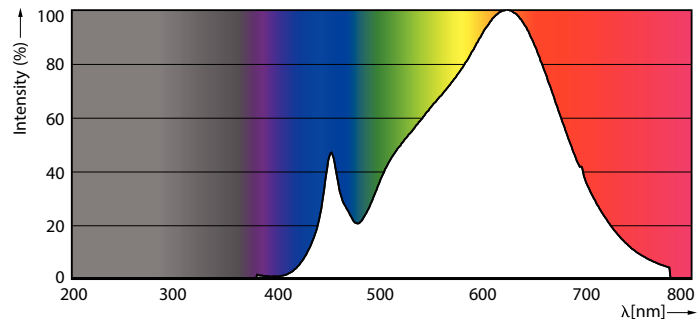
|                                 |               |
|---------------------------------|---------------|
| Material Nr. (12NC)             | 929003072010  |
| Numerator - Quantity Per Pack   | 1             |
| EAN/UPC - Product/Case          | 6922341937262 |
| Numerator - Packs per outer box | 10            |
| EAN/UPC - Case                  | 6922341937279 |

## Dimensional drawing

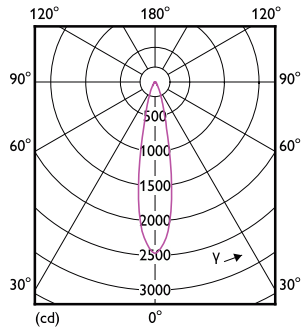


| Product                                | D     | C       |
|--|-------|---------|
| MASTER LED 6.5-50W 930 MR16 24D Dim CN | 50 mm | 46.5 mm |

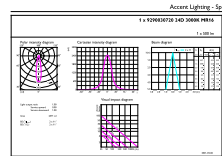
## Photometric data



Spectral Power Distribution Colour - MASTER LED 6.5-50W 930 MR16 24D Dim CN



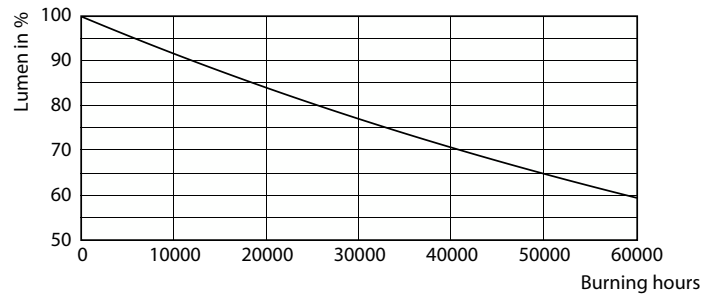
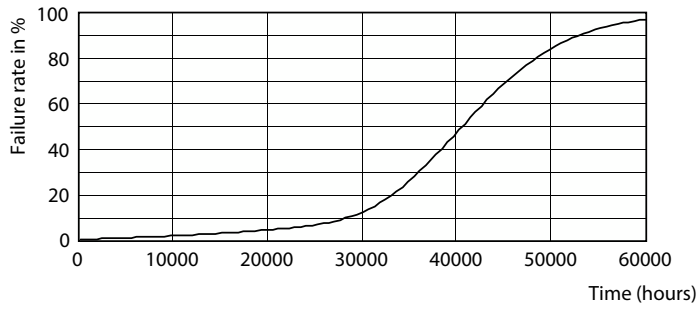
Light Distribution Diagram - MASTER LED 6.5-50W 930 MR16 24D Dim CN



Accent Lighting Spots - MASTER LED 6.5-50W 930 MR16 24D Dim CN

# MASTER LED spot LV

## Lifetime



Life Expectancy Diagram

Lumen Maintenance Diagram - MASTER LED 6.5-50W 930 MR16 24D Dim CN

