



Faretto LED MASTER ExpertColor AR111



MAS ExpertColor 14.8-75W 940 AR111 45D

MASTER, LEDspot, AR111, 75 W, G53, 4000 K, 950 lm, CRI 95, 40000 ore

MASTER, LEDspot, AR111, 75 W, G53, 4000 K, 950 lm, CRI 95, 40000 ore, 64.00 lm/W, EEL G, PF 0.7, RG1, IP20

Dati del prodotto

Informazioni generali	
Attacco	G53
Durata nominale	40.000 ore
Ciclo di commutazione on/off	50.000
Lighting Technology	LEDspot
Riferimento per la misurazione del flusso	Narrow Cone
Periodo di garanzia	5 anni
Dati tecnici di illuminazione	
Codice colore	940 [CCT of 4000K]
Angolo del fascio (Nom)	45°
Flusso luminoso	950 lm
Intensità luminosa (Nom)	1.400 cd
Designazione colore	Bianco freddo (CW)
Temperatura di colore correlata (Nom)	4000 K
Efficienza luminosa (specificata) (Nom)	64,00 lm/W
Uniformità del colore	<4
Indice di resa cromatica (CRI)	95
LLMF a fine durata vita nominale (Nom)	70 %

Flusso luminoso in cono 90° (specificato)	950 lm
Photobiological safety according to EN 62471	RG1
Funzionamento e parte elettrica	
Frequenza di linea	50 to 60 Hz
Frequenza di ingresso	Da 50 a 60 Hz
Consumo energetico	14,8 W
Corrente lampada (Nom)	1.500 mA
Potenza equivalente	75 W
Tempo di avvio (Nom)	0,5 s
Tempo di riscaldamento per raggiungere il 60% del flusso luminoso	0,5 s
Fattore di potenza (frazione)	0,7
Tensione (Nom)	ac electronic 12 V
Temperatura	
Temp. massima involucro (Nom)	85 °C

Faretto LED MASTER ExpertColor AR111

Controlli e dimmerazione

Dimmerabile	Solo con dimmer specifici
-------------	---------------------------

Meccanica e corpo

Finitura lampadina	Trasparente
Forma lampadina	AR111
Peso netto (Pezzo)	0,160 kg

Approvazione e applicazione

Classe di efficienza energetica	G
Adatto all'illuminazione d'accento	Si
Consumo energetico kWh/1000 h	15 kWh
Numero di registrazione EPREL	648243
Marchio CE	Si
Conformità a RoHS EU	Si
EyeComfort	Si
Intervallo temperatura ambiente	Da -20 a +45 °C

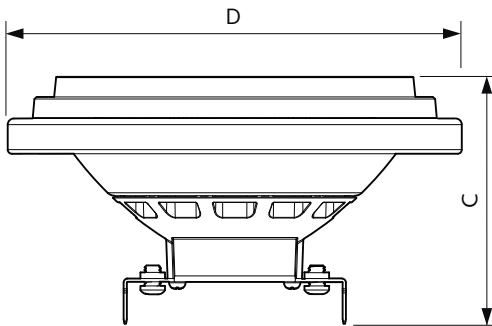
Condizioni di applicazione

Tecnologia wireless	Non applicabile
---------------------	-----------------

Dati del prodotto

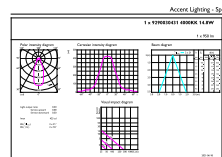
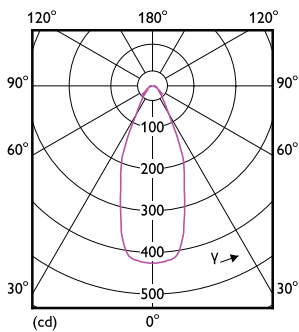
Nome prodotto ordine	MAS ExpertColor 14.8-75W 940 AR111 45D
Nome completo prodotto	MAS ExpertColor 14.8-75W 940 AR111 45D
Full EOC	871951433389500
Descrizione codice locale	MLR1117594045X2
Codice d'ordine	33389500
Codice materiale (12NC)	929003043102
Codice locale	MLR1117594045X2
Numeratore - Quantità per confezione	1
EAN/UPC - Prodotto/scatola	8719514333895
Numeratore - Confezioni per scatola esterna	6
EAN/UPC - Case	8719514333901

Disegno tecnico



Product	D	C
MAS ExpertColor 14.8-75W 940 AR111 45D	111 mm	61 mm

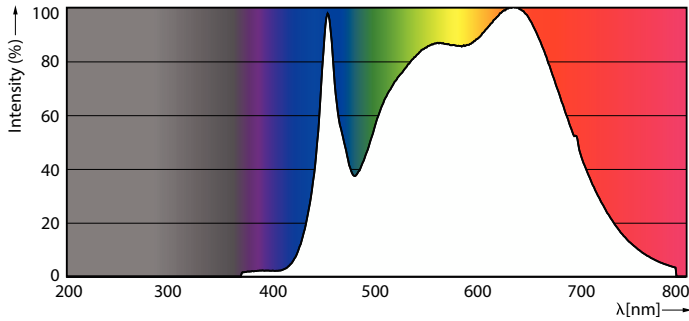
Fotometrie



Copyright 2020/2021/2022/2023/2024/2025/2026/2027/2028/2029/2030/2031/2032/2033/2034/2035/2036/2037/2038/2039/2040/2041/2042/2043/2044/2045/2046/2047/2048/2049/2050/2051/2052/2053/2054/2055/2056/2057/2058/2059/2060/2061/2062/2063/2064/2065/2066/2067/2068/2069/2070/2071/2072/2073/2074/2075/2076/2077/2078/2079/2080/2081/2082/2083/2084/2085/2086/2087/2088/2089/2090/2091/2092/2093/2094/2095/2096/2097/2098/2099/2100/2101/2102/2103/2104/2105/2106/2107/2108/2109/2110/2111/2112/2113/2114/2115/2116/2117/2118/2119/2120/2121/2122/2123/2124/2125/2126/2127/2128/2129/2130/2131/2132/2133/2134/2135/2136/2137/2138/2139/2140/2141/2142/2143/2144/2145/2146/2147/2148/2149/2150/2151/2152/2153/2154/2155/2156/2157/2158/2159/2160/2161/2162/2163/2164/2165/2166/2167/2168/2169/2170/2171/2172/2173/2174/2175/2176/2177/2178/2179/2180/2181/2182/2183/2184/2185/2186/2187/2188/2189/2190/2191/2192/2193/2194/2195/2196/2197/2198/2199/2200/2201/2202/2203/2204/2205/2206/2207/2208/2209/2210/2211/2212/2213/2214/2215/2216/2217/2218/2219/2220/2221/2222/2223/2224/2225/2226/2227/2228/2229/2230/2231/2232/2233/2234/2235/2236/2237/2238/2239/2240/2241/2242/2243/2244/2245/2246/2247/2248/2249/2250/2251/2252/2253/2254/2255/2256/2257/2258/2259/2260/2261/2262/2263/2264/2265/2266/2267/2268/2269/2270/2271/2272/2273/2274/2275/2276/2277/2278/2279/2280/2281/2282/2283/2284/2285/2286/2287/2288/2289/2290/2291/2292/2293/2294/2295/2296/2297/2298/2299/2300/2301/2302/2303/2304/2305/2306/2307/2308/2309/2310/2311/2312/2313/2314/2315/2316/2317/2318/2319/2320/2321/2322/2323/2324/2325/2326/2327/2328/2329/2330/2331/2332/2333/2334/2335/2336/2337/2338/2339/2340/2341/2342/2343/2344/2345/2346/2347/2348/2349/2350/2351/2352/2353/2354/2355/2356/2357/2358/2359/2360/2361/2362/2363/2364/2365/2366/2367/2368/2369/2370/2371/2372/2373/2374/2375/2376/2377/2378/2379/2380/2381/2382/2383/2384/2385/2386/2387/2388/2389/2390/2391/2392/2393/2394/2395/2396/2397/2398/2399/2400/2401/2402/2403/2404/2405/2406/2407/2408/2409/2410/2411/2412/2413/2414/2415/2416/2417/2418/2419/2420/2421/2422/2423/2424/2425/2426/2427/2428/2429/2430/2431/2432/2433/2434/2435/2436/2437/2438/2439/2440/2441/2442/2443/2444/2445/2446/2447/2448/2449/2450/2451/2452/2453/2454/2455/2456/2457/2458/2459/2460/2461/2462/2463/2464/2465/2466/2467/2468/2469/2470/2471/2472/2473/2474/2475/2476/2477/2478/2479/2480/2481/2482/2483/2484/2485/2486/2487/2488/2489/2490/2491/2492/2493/2494/2495/2496/2497/2498/2499/2500/2501/2502/2503/2504/2505/2506/2507/2508/2509/2510/2511/2512/2513/2514/2515/2516/2517/2518/2519/2520/2521/2522/2523/2524/2525/2526/2527/2528/2529/2530/2531/2532/2533/2534/2535/2536/2537/2538/2539/2540/2541/2542/2543/2544/2545/2546/2547/2548/2549/2550/2551/2552/2553/2554/2555/2556/2557/2558/2559/2560/2561/2562/2563/2564/2565/2566/2567/2568/2569/2570/2571/2572/2573/2574/2575/2576/2577/2578/2579/2580/2581/2582/2583/2584/2585/2586/2587/2588/2589/2590/2591/2592/2593/2594/2595/2596/2597/2598/2599/2600/2601/2602/2603/2604/2605/2606/2607/2608/2609/2610/2611/2612/2613/2614/2615/2616/2617/2618/2619/2620/2621/2622/2623/2624/2625/2626/2627/2628/2629/2630/2631/2632/2633/2634/2635/2636/2637/2638/2639/2640/2641/2642/2643/2644/2645/2646/2647/2648/2649/2650/2651/2652/2653/2654/2655/2656/2657/2658/2659/2660/2661/2662/2663/2664/2665/2666/2667/2668/2669/2670/2671/2672/2673/2674/2675/2676/2677/2678/2679/2680/2681/2682/2683/2684/2685/2686/2687/2688/2689/2690/2691/2692/2693/2694/2695/2696/2697/2698/2699/2700/2701/2702/2703/2704/2705/2706/2707/2708/2709/2710/2711/2712/2713/2714/2715/2716/2717/2718/2719/2720/2721/2722/2723/2724/2725/2726/2727/2728/2729/2730/2731/2732/2733/2734/2735/2736/2737/2738/2739/2740/2741/2742/2743/2744/2745/2746/2747/2748/2749/2750/2751/2752/2753/2754/2755/2756/2757/2758/2759/2760/2761/2762/2763/2764/2765/2766/2767/2768/2769/2770/2771/2772/2773/2774/2775/2776/2777/2778/2779/2780/2781/2782/2783/2784/2785/2786/2787/2788/2789/2790/2791/2792/2793/2794/2795/2796/2797/2798/2799/2800/2801/2802/2803/2804/2805/2806/2807/2808/2809/2810/2811/2812/2813/2814/2815/2816/2817/2818/2819/2820/2821/2822/2823/2824/2825/2826/2827/2828/2829/2830/2831/2832/2833/2834/2835/2836/2837/2838/2839/2840/2841/2842/2843/2844/2845/2846/2847/2848/2849/2850/2851/2852/2853/2854/2855/2856/2857/2858/2859/2860/2861/2862/2863/2864/2865/2866/2867/2868/2869/2870/2871/2872/2873/2874/2875/2876/2877/2878/2879/2880/2881/2882/2883/2884/2885/2886/2887/2888/2889/2890/2891/2892/2893/2894/2895/2896/2897/2898/2899/2900/2901/2902/2903/2904/2905/2906/2907/2908/2909/2910/2911/2912/2913/2914/2915/2916/2917/2918/2919/2920/2921/2922/2923/2924/2925/2926/2927/2928/2929/2930/2931/2932/2933/2934/2935/2936/2937/2938/2939/2940/2941/2942/2943/2944/2945/2946/2947/2948/2949/2950/2951/2952/2953/2954/2955/2956/2957/2958/2959/2960/2961/2962/2963/2964/2965/2966/2967/2968/2969/2970/2971/2972/2973/2974/2975/2976/2977/2978/2979/2980/2981/2982/2983/2984/2985/2986/2987/2988/2989/2990/2991/2992/2993/2994/2995/2996/2997/2998/2999/3000/3001/3002/3003/3004/3005/3006/3007/3008/3009/3010/3011/3012/3013/3014/3015/3016/3017/3018/3019/3020/3021/3022/3023/3024/3025/3026/3027/3028/3029/3030/3031/3032/3033/3034/3035/3036/3037/3038/3039/3040/3041/3042/3043/3044/3045/3046/3047/3048/3049/3050/3051/3052/3053/3054/3055/3056/3057/3058/3059/3060/3061/3062/3063/3064/3065/3066/3067/3068/3069/3070/3071/3072/3073/3074/3075/3076/3077/3078/3079/3080/3081/3082/3083/3084/3085/3086/3087/3088/3089/3090/3091/3092/3093/3094/3095/3096/3097/3098/3099/3100/3101/3102/3103/3104/3105/3106/3107/3108/3109/3110/3111/3112/3113/3114/3115/3116/3117/3118/3119/3120/3121/3122/3123/3124/3125/3126/3127/3128/3129/3130/3131/3132/3133/3134/3135/3136/3137/3138/3139/3140/3141/3142/3143/3144/3145/3146/3147/3148/3149/3150/3151/3152/3153/3154/3155/3156/3157/3158/3159/3160/3161/3162/3163/3164/3165/3166/3167/3168/3169/3170/3171/3172/3173/3174/3175/3176/3177/3178/3179/3180/3181/3182/3183/3184/3185/3186/3187/3188/3189/3190/3191/3192/3193/3194/3195/3196/3197/3198/3199/3200/3201/3202/3203/3204/3205/3206/3207/3208/3209/3210/3211/3212/3213/3214/3215/3216/3217/3218/3219/3220/3221/3222/3223/3224/3225/3226/3227/3228/3229/3230/3231/3232/3233/3234/3235/3236/3237/3238/3239/3240/3241/3242/3243/3244/3245/3246/3247/3248/3249/3250/3251/3252/3253/3254/3255/3256/3257/3258/3259/3260/3261/3262/3263/3264/3265/3266/3267/3268/3269/3270/3271/3272/3273/3274/3275/3276/3277/3278/3279/3280/3281/3282/3283/3284/3285/3286/3287/3288/3289/3290/3291/3292/3293/3294/3295/3296/3297/3298/3299/3300/3301/3302/3303/3304/3305/3306/3307/3308/3309/3310/3311/3312/3313/3314/3315/3316/3317/3318/3319/3320/3321/3322/3323/3324/3325/3326/3327/3328/3329/3330/3331/3332/3333/3334/3335/3336/3337/3338/3339/3340/3341/3342/3343/3344/3345/3346/3347/3348/3349/3350/3351/3352/3353/3354/3355/3356/3357/3358/3359/3360/3361/3362/3363/3364/3365/3366/3367/3368/3369/3370/3371/3372/3373/3374/3375/3376/3377/3378/3379/3380/3381/3382/3383/3384/3385/3386/3387/3388/3389/3390/3391/3392/3393/3394/3395/3396/3397/3398/3399/3400/3401/3402/3403/3404/3405/3406/3407/3408/3409/3410/3411/3412/3413/3414/3415/3416/3417/3418/3419/3420/3421/3422/3423/3424/3425/3426/3427/3428/3429/3430/3431/3432/3433/3434/3435/3436/3437/3438/3439/3440/3441/3442/3443/3444/3445/3446/3447/3448/3449/3450/3451/3452/3453/3454/3455/3456/3457/3458/3459/3460/3461/3462/3463/3464/3465/3466/3467/3468/3469/3470/3471/3472/3473/3474/3475/3476/3477/3478/3479/3480/3481/3482/3483/3484/3485/3486/3487/3488/3489/3490/3491/3492/3493/3494/3495/3496/3497/3498/3499/3500/3501/3502/3503/3504/3505/3506/3507/3508/3509/3510/3511/3512/3513/3514/3515/3516/3517/3518/3519/3520/3521/3522/3523/3524/3525/3526/3527/3528/3529/3530/3531/3532/3533/3534/3535/3536/3537/3538/3539/3540/3541/3542/3543/3544/3545/3546/3547/3548/3549/3550/3551/3552/3553/3554/3555/3556/3557/3558/3559/3560/3561/3562/3563/3564/3565/3566/3567/3568/3569/3570/3571/3572/3573/3574/3575/3576/3577/3578/3579/3580/3581/3582/3583/3584/3585/3586/3587/3588/3589/3590/3591/3592/3593/3594/3595/3596/3597/3598/3599/3600/3601/3602/3603/3604/3605/3606/3607/3608/3609/3610/3611/3612/3613/3614/3615/3616/3617/3618/3619/3620/3621/3622/3623/3624/3625/3626/3627/3628/3629/3630/3631/3632/3633/3634/3635/3636/3637/3638/3639/3640/3641/3642/3643/3644/3645/3646/3647/3648/3649/3650/3651/3652/3653/3654/3655/3656/3657/3658/3659/3660/3661/3662/3663/3664/3665/3666/3667/3668/3669/3670/3671/3672/3673/3674/3675/3676/3677/3678/3679/3680/3681/3682/3683/3684/3685/3686/3687/3688/3689/3690/3691/3692/3693/3694/3695/3696/3697/3698/3699/3700/3701/3702/3703/3704/3705/3706/3707/3708/3709/3710/3711/3712/3713/3714/3715/3716/3717/3718/3719/3720/3721/3722/3723/3724/3725/3726/3727/3728/3729/3730/3731/3732/3733/3734/3735/3736/3737/3738/3739/3740/3741/3742/3743/3744/3745/3746/3747/3748/3749/3750/3751/3752/3753/3754/3755/3756/3757/3758/3759/3760/3761/3762/3763/3764/3765/3766/3767/3768/3769/3770/3771/3772/3773/3774/3775/3776/3777/3778/3779/3780/3781/3782/3783/3784/3785/3786/3787/3788/3789/3790/3791/3792/3793/3794/3795/3796/3797/3798/3799/3800/3801/3802/3803/3804/3805/3806/3807/3808/3809/3810/3811/3812/3813/3814/3815/3816/3817/3818/3819/3820/3821/3822/3823/3824/3825/3826/3827/3828/3829/3830/3831/3832/3833/3834/3835/3836/3837/3838/3839/3840/3841/3842/3843/3844/3845/3846/3847/3848/3849/3850/3851/3852/3853/3854/3855/3856/3857/3858/3859/3860/3861/3862/3863/3864/3865/3866/3867/3868/3869/3870/3871/3872/3873/3874/3875/3876/3877/3878/3879/3880/3881/3882/3883/3884/3885/3886/3887/3888/3889/3890/3891/3892/3893/3894/3895/3896/3897/3898/3899/3900/3901/3902/3903/3904/3905/3906/3907/3908/3909/3910/3911/3912/3913/3914/3915/3916/3917/3918/3919/3920/3921/3922/3923/3924/3925/3926/3927/3928/3929/3930/3931/3932/3933/3934/3935/3936/3937/3938/3939/3940/3941/3942/3943/3944/3945/3946/3947/3948/3949/3950/3951/3952/3953/3954/3955/3956/3957/3958/3959/3960/3961/3962/3963/3964/3965/3966/3967/3968/3969/3970/3971/3972/3973/3974/3975/3976/3977/3978/3979/3980/3981/3982/3983/3984/3985/3986/3987/3988/3989/3990/3991/3992/3993/3994/3995/3996/3997/3998/3999/4000/4001/4002/4003/4004/4005/4006/4007/4008/4009/4010/4011/4012/4013/4014/4015/4016/4017/4018/4019/4020/4021/4022/4023/4024/4025/4026/4027/4028/4029/4030/4031/4032/4033/4034/4035/4036/4037/4038/4039/4040/4041/4042/4043/4044/4045/4046/4047/4048/4049/4050/4051/4052/4053/4054/4055/4056/4057/4058/4059/4060/4061/4062/4063/4064/4065/4066/4067/4068/4069/4070/4071/4072/4073/4074/4075/4076/4077/4078/4079/4080/4081/4082/4083/4084/4085/4086/4087/4088/4089/4090/4091/4092/4093/4094/4095/4096/4097/4098/4099/4100/4101/4102/4103/4104/4105/4106/4107/4108/4109/411

Faretto LED MASTER ExpertColor AR111

Fotometrie



Spectral Power Distribution Colour - MAS ExpertColor 14.8-75W 940 AR111 45D

Durata



Life Expectancy Diagram



Lumen Maintenance Diagram - MAS ExpertColor 14.8-75W 940 AR111 45D

