



# MASTER LED spot ExpertColor AR111

## MAS ExpertColor 14.8-75W 940 AR111 45D

MASTER, LEDspot, AR111, 75 W, G53, 4000 K, 950 lm, CRI 95, 40000 hour(s)

MASTER LEDspot LV ExpertColor creates a warm and comfortable ambience for hospitality venues, homes and restaurants. It creates such an ambience with superior lighting that has a customized spectrum, high CRI, and deep dimming feature. The result? A beautiful lighting experience. What's more, the innovative, trimless lens design will suit almost any interior decor with its clean and neat look. In addition, you can take advantage of the full ExpertColor family, which also includes LEDspot MV and LEDspot Par lamps.

### Product data

General Information		Operating and Electrical	
Cap-Base	G53	Correlated Color Temperature (Nom)	4000 K
Nominal lifetime	40,000 hour(s)	Luminous Efficacy (rated) (Nom)	64.00 lm/W
Switching Cycle	50,000	Color Consistency	<4
Lighting Technology	LEDspot	Color rendering index (CRI)	95
Flux measurement reference	Narrow Cone	LLMF At End Of Nominal Lifetime (Nom)	70 %
Warranty period	5 years	Luminous Flux in 90° Cone (Rated)	950 lm
		Photobiological safety according to EN 62471	RG1
Light Technical			
Color Code	940 [CCT of 4000K]	Line Frequency	50 to 60 Hz
Beam Angle (Nom)	45 degree(s)	Input Frequency	50 to 60 Hz
Luminous Flux	950 lm	Power Consumption	14.8 W
Luminous Intensity (Nom)	1,400 cd	Lamp Current (Nom)	1,500 mA
Color Designation	Cool White (CW)	Wattage Equivalent	75 W

# MASTER LED spot ExpertColor AR111

Starting Time (Nom)	0.5 s
Warm-up time to 60% light	0.5 s
Power Factor (Fraction)	0.7
Voltage (Nom)	ac electronic 12 V

## Temperature

T-Case Maximum (Nom)	85 °C
----------------------	-------

## Controls and Dimming

Dimmable	Only with specific dimmers
----------	----------------------------

## Mechanical and Housing

Bulb Finish	Clear
Bulb Shape	AR111
Net Weight (Piece)	0.160 kg

## Approval and Application

Energy Efficiency Class	G
Suitable For Accent Lighting	Yes
Energy Consumption kWh/1000 h	15 kWh
EPREL Registration Number	648243
CE mark	Yes

EU RoHS compliant	Yes
EyeComfort	Yes
Ambient temperature range	-20 to +45 °C

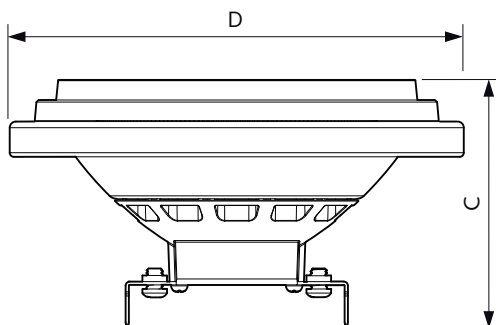
## Application Conditions

can it be used in closed luminaires	No
-------------------------------------	----

## Product Data

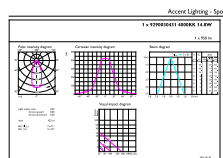
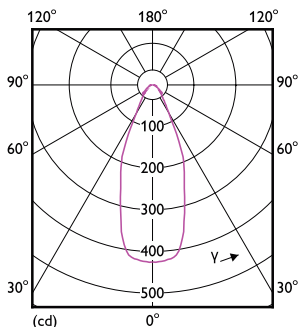
Order product name	MAS ExpertColor 14.8-75W 940 AR111 45D
Full product name	MAS ExpertColor 14.8-75W 940 AR111 45D
Full product code	871951433389500
Order code	929003043102
Material Nr. (12NC)	929003043102
Numerator - Quantity Per Pack	1
EAN/UPC - Product/Case	8719514333895
Numerator - Packs per outer box	6
EAN/UPC - Case	8719514333901

## Dimensional drawing



Product	D	C
MAS ExpertColor 14.8-75W 940 AR111 45D	111 mm	61 mm

## Photometric data

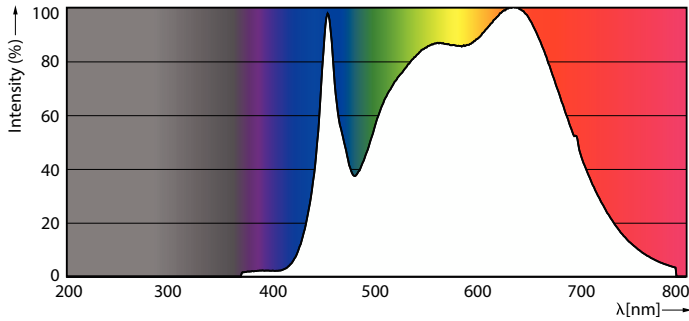


Light Distribution Diagram - MAS ExpertColor 14.8-75W 940 AR111 45D

Accent Lighting Spots - MAS ExpertColor 14.8-75W 940 AR111 45D

# MASTER LED spot ExpertColor AR111

## Photometric data

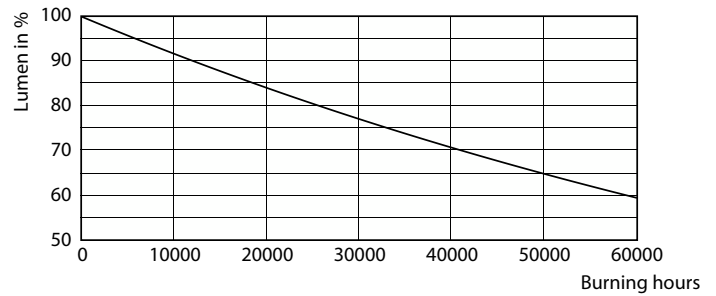


Spectral Power Distribution Colour - MAS ExpertColor 14.8-75W 940 AR111 45D

## Lifetime



Life Expectancy Diagram



Lumen Maintenance Diagram - MAS ExpertColor 14.8-75W 940 AR111 45D

