



# MASTER LED spot ExpertColor AR111



## MAS ExpertColor 14.8-75W 927 AR111 24D

MASTER, LEDspot, AR111, 75 W, G53, 2700 K, 875 lm, CRI 95, 40000 hour(s)

MASTER LEDspot LV ExpertColor creates a warm and comfortable ambience for hospitality venues, homes and restaurants. It creates such an ambience with superior lighting that has a customized spectrum, high CRI, and deep dimming feature. The result? A beautiful lighting experience. What's more, the innovative, trimless lens design will suit almost any interior decor with its clean and neat look. In addition, you can take advantage of the full ExpertColor family, which also includes LEDspot MV and LEDspot Par lamps.

### Product data

General Information	
Cap-Base	G53
Nominal lifetime	40,000 hour(s)
Switching Cycle	50,000
Lighting Technology	LEDspot
Flux measurement reference	Narrow Cone
Warranty period	5 years
Light Technical	
Color Code	927 [CCT of 2700K]
Beam Angle (Nom)	24 degree(s)
Luminous Flux	875 lm
Luminous Intensity (Nom)	3,000 cd
Color Designation	Warm White (WW)

Correlated Color Temperature (Nom)	2700 K
Luminous Efficacy (rated) (Nom)	59 lm/W
Color Consistency	<4
Color rendering index (CRI)	95
LLMF At End Of Nominal Lifetime (Nom)	70 %
Luminous Flux in 90° Cone (Rated)	875 lm
Photobiological safety according to EN 62471	RG1
Operating and Electrical	
Line Frequency	50 to 60 Hz
Input Frequency	50 to 60 Hz
Power Consumption	14.8 W
Lamp Current (Nom)	1,500 mA
Wattage Equivalent	75 W

# MASTER LED spot ExpertColor AR111

Starting Time (Nom)	0.5 s
Warm-up time to 60% light	0.5 s
Power Factor (Fraction)	0.7
Voltage (Nom)	ac electronic 12 V

## Temperature

T-Case Maximum (Nom)	85 °C
----------------------	-------

## Controls and Dimming

Dimmable	Only with specific dimmers
----------	----------------------------

## Mechanical and Housing

Bulb Finish	Clear
Bulb Shape	AR111
Net Weight (Piece)	0.160 kg

## Approval and Application

Energy Efficiency Class	G
Suitable For Accent Lighting	Yes
Energy Consumption kWh/1000 h	15 kWh
EPREL Registration Number	648255

CE mark	Yes
EU RoHS compliant	Yes
EyeComfort	Yes
Ambient temperature range	-20 to +45 °C

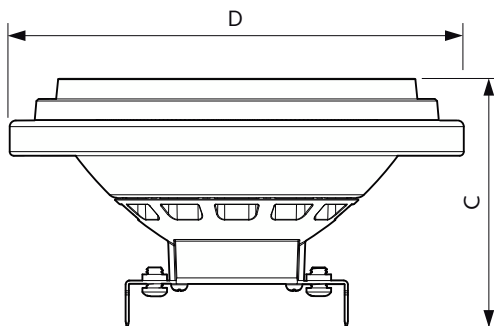
## Application Conditions

can it be used in closed luminaires	No
Wireless Technology	Not applicable

## Product Data

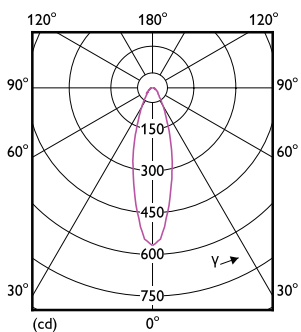
Order product name	MAS ExpertColor 14.8-75W 927 AR111 24D
Full product name	MAS ExpertColor 14.8-75W 927 AR111 24D
Full product code	871951433379600
Order code	929003042602
Material Nr. (12NC)	929003042602
Numerator - Quantity Per Pack	1
EAN/UPC - Product/Case	8719514333796
Numerator - Packs per outer box	6
EAN/UPC - Case	8719514333802

## Dimensional drawing

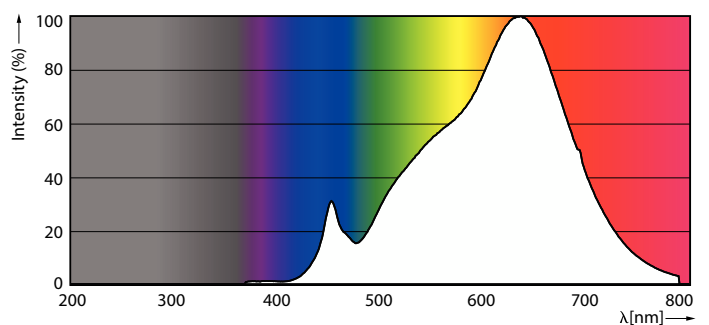


Product	D	C
MAS ExpertColor 14.8-75W 927 AR111 24D	111 mm	61 mm

## Photometric data



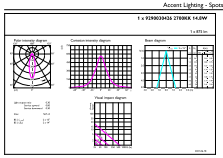
Light Distribution Diagram - MAS ExpertColor 14.8-75W 927 AR111 24D



Spectral Power Distribution Colour - MAS ExpertColor 14.8-75W 927 AR111 24D

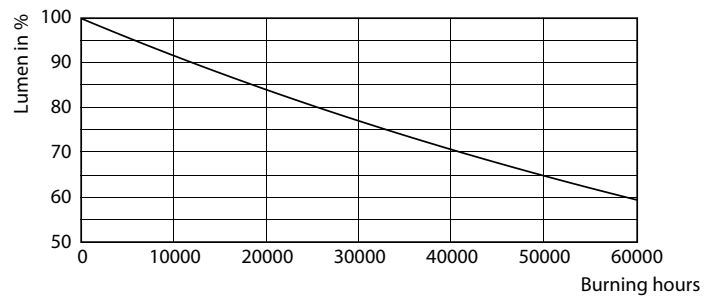
# MASTER LED spot ExpertColor AR111

## Photometric data



Accent Lighting Spots - MAS ExpertColor 14.8-75W 927 AR111 24D

## Lifetime



Life Expectancy Diagram

Lumen Maintenance Diagram - MAS ExpertColor 14.8-75W 927 AR111 24D

