



# Essential SmartBright LED Downlight

## DN027B G3 LED9/NW 9W 220-240V L125 RU

Essential SmartBright LED Downlight, 9 W, 950 lm, 4000 K, Beam angle 110°, White

Essential SmartBright G2 LED Downlight is value for money product with high efficacy, good quality and reliability. It offers multiple configurations from 300lm to 2000lm output, to replace conventional downlight. It can be used for shopping mall, retail store, residential and office. It's an ideal product family to distribute in trade market.

### Product data

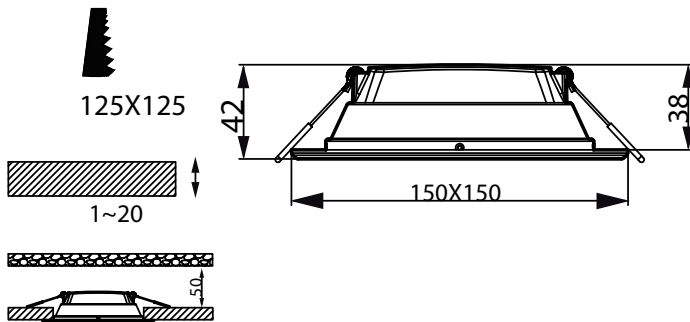
General Information		Operating and Electrical	
Light source replaceable	No	Input Voltage	220 to 240 V
Number of gear units	1 unit	Line Frequency	50 or 60 Hz
Driver included	Yes	Input Frequency	50 or 60 Hz
Lighting Technology	LED	Inrush current	2.25 A
Warranty period	3 years	Inrush time	0.101 ms
<b>Light Technical</b>		Power Consumption	9 W
Luminous Flux	950 lm	Power Factor (Fraction)	0.9
Correlated Color Temperature (Nom)	4000 K	Cable	Cable 0.2 m without plug
Luminous Efficacy (rated) (Nom)	105.00 lm/W	Number of products on MCB of 16 A type B	86
Color rendering index (CRI)	80	Suitable for random switching	No
Light source color	840 neutral white	Protection class IEC	Safety class II
Optic type	Beam angle 110°	<b>Controls and Dimming</b>	
Luminaire light beam spread	110°	Dimmable	No
		Driver/power unit/transformer	Power supply unit (On/Off)

# Essential SmartBright LED Downlight

Constant light output	No
<b>Mechanical and Housing</b>	
Housing Material	Metal-Plastic
Reflector material	-
Optic material	Polycarbonate
Optical cover material	Polycarbonate
Fixation material	Steel
Housing Color	White
Optical cover finish	Matte
Overall length	150 mm
Overall width	150 mm
Overall height	42 mm
Dimensions (Height x Width x Depth)	42 x 150 x 150 mm
Ingress protection code	IP20/40 [Finger-protected;Wire-protected]
Mech. impact protection code	IK03 [0.3 J]
Net Weight (Piece)	0.180 kg
<b>Approval and Application</b>	
Glow-wire test	Temperature 650 °C, duration 30 s
Flammability mark	For mounting on normally flammable surfaces
EU RoHS compliant	Yes
Ambient temperature range	-20 to +40 °C

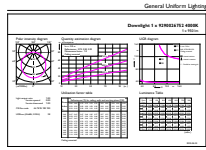
<b>Initial Performance (IEC Compliant)</b>	
Luminous flux tolerance	+/-10%
Initial chromaticity	(IEC4000K, 0.38, 0.38) < 5SDCM
Power consumption tolerance	+/-10%
<b>Over Time Performance (IEC Compliant)</b>	
Driver failure rate at 5000 h	0.012 %
Median useful life L70B50	30,000 hour(s)
<b>Product Data</b>	
Order product name	DN027B G3 LED9/NW 9W 220-240V L125 RU
Full product name	DN027B G3 LED9/NW 9W 220-240V L125 RU
Full product code	871951435157800
Order code	929002675202
Material Nr. (12NC)	929002675202
Numerator - Quantity Per Pack	1
EAN/UPC - Product/Case	8719514351578
Numerator - Packs per outer box	24
EAN/UPC - Case	8719514351585

## Dimensional drawing

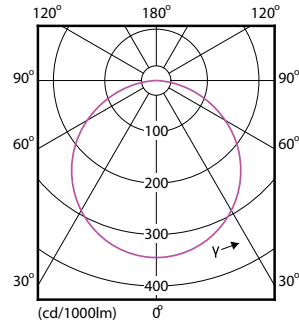


# Essential SmartBright LED Downlight

## Photometric data



General Parameters 4.1.1 Philips Lighting B.V. Page 1/7



General uniform lighting - DN027B G3 LED9/NW 9W 220-240V L125 RU

Light Distribution Diagram - DN027B G3 LED9/NW 9W 220-240V L125 RU

