



Essential SmartBright LED Downlight

DN027B G3 LED15/NW 15W 220-240 D175 RD

Essential SmartBright LED Downlight, 15 W, 1600 lm, 4000 K, Beam angle 110°, White

Essential SmartBright G2 LED Downlight is value for money product with high efficacy, good quality and reliability. It offers multiple configurations from 300lm to 2000lm output, to replace conventional downlight. It can be used for shopping mall, retail store, residential and office. It's an ideal product family to distribute in trade market.

Product data

General Information		Operating and Electrical	
Light source replaceable	No	Input Voltage	220 to 240 V
Number of gear units	1 unit	Line Frequency	50 or 60 Hz
Driver included	Yes	Input Frequency	50 or 60 Hz
Lighting Technology	LED	Inrush current	4.35 A
Warranty period	3 years	Inrush time	0.1 ms
Light Technical		Power Consumption	15 W
Luminous Flux	1,600 lm	Power Factor (Fraction)	0.9
Correlated Color Temperature (Nom)	4000 K	Cable	Cable 0.2 m without plug
Luminous Efficacy (rated) (Nom)	106.00 lm/W	Number of products on MCB of 16 A type B	64
Color rendering index (CRI)	80	Suitable for random switching	No
Light source color	840 neutral white	Protection class IEC	Safety class II
Optic type	Beam angle 110°	Controls and Dimming	
Luminaire light beam spread	110°	Dimmable	No
		Driver/power unit/transformer	Power supply unit (On/Off)

Essential SmartBright LED Downlight

Constant light output	No
-----------------------	----

Mechanical and Housing

Housing Material	Metal-Plastic
Reflector material	-
Optic material	Polycarbonate
Optical cover material	Polycarbonate
Fixation material	Steel
Housing Color	White
Optical cover finish	Matte
Overall length	200 mm
Overall width	200 mm
Overall height	45 mm
Overall diameter	200 mm
Dimensions (Height x Width x Depth)	45 x 200 x 200 mm
Ingress protection code	IP20/40 [Finger-protected;Wire-protected]
Mech. impact protection code	IK03 [0.3 J]
Net Weight (Piece)	0.290 kg

Approval and Application

Glow-wire test	Temperature 650 °C, duration 30 s
Flammability mark	For mounting on normally flammable surfaces
EU RoHS compliant	Yes
Ambient temperature range	-20 to +40 °C

Initial Performance (IEC Compliant)

Luminous flux tolerance	+/-10%
Initial chromaticity	(IEC4000K, 0.38, 0.38) < 5SDCM
Power consumption tolerance	+/-10%

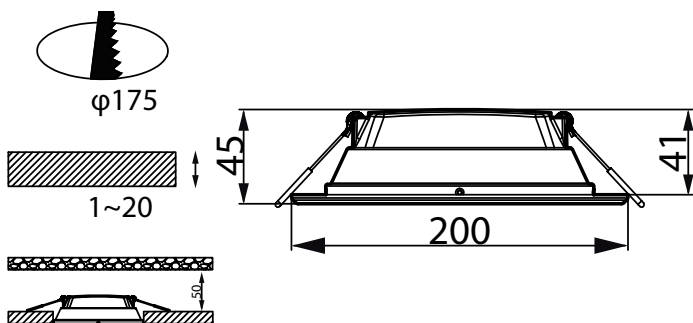
Over Time Performance (IEC Compliant)

Driver failure rate at 5000 h	0.012 %
Median useful life L70B50	30,000 hour(s)

Product Data

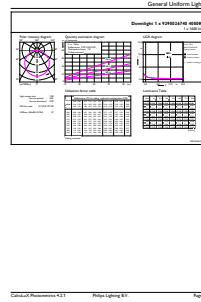
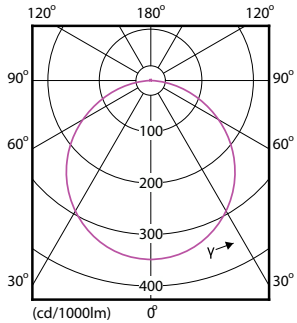
Order product name	DN027B G3 LED15/NW 15W 220-240 D175 RD
Full product name	DN027B G3 LED15/NW 15W 220-240 D175 RD
Full product code	871951434568300
Order code	929002674038
Material Nr. (12NC)	929002674038
Numerator - Quantity Per Pack	1
EAN/UPC - Product/Case	8719514345683
Numerator - Packs per outer box	24
EAN/UPC - Case	8719514345690

Dimensional drawing



Essential SmartBright LED Downlight

Photometric data



Light Distribution Diagram - DN027B G3 LED15/NW 15W 220-240 D175 RD

General uniform lighting - DN027B G3 LED15/NW 15W 220-240 D175 RD

