

Essential SmartBright LED Downlight

Constant light output	No
Mechanical and Housing	
Housing Material	Metal-Plastic
Reflector material	-
Optic material	Polycarbonate
Optical cover material	Polycarbonate
Fixation material	Steel
Housing Color	White
Optical cover finish	Matte
Overall length	175 mm
Overall width	175 mm
Overall height	45 mm
Overall diameter	175 mm
Dimensions (Height x Width x Depth)	45 x 175 x 175 mm
Ingress protection code	IP20/40 [Finger-protected;Wire-protected]
Mech. impact protection code	IK03 [0.3 J]
Net Weight (Piece)	0.210 kg

Approval and Application

Glow-wire test	Temperature 650 °C, duration 30 s
Flammability mark	For mounting on normally flammable surfaces
EU RoHS compliant	Yes
Ambient temperature range	-20 to +40 °C

Initial Performance (IEC Compliant)

Luminous flux tolerance	+/-10%
Initial chromaticity	(IEC3000K, 0.44, 0.403) < 5SDCM
Power consumption tolerance	+/-10%

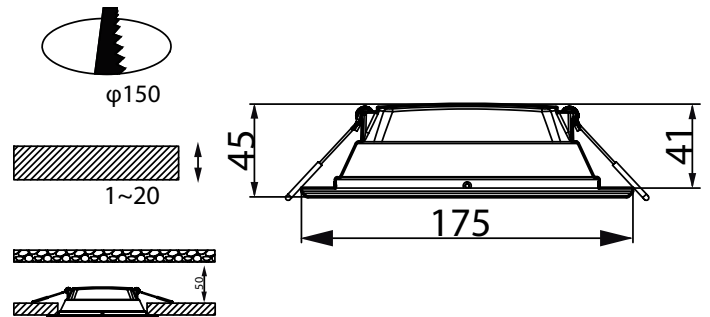
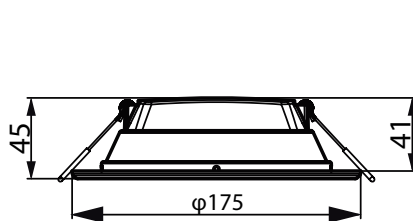
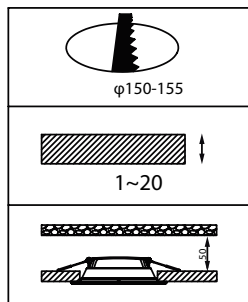
Over Time Performance (IEC Compliant)

Driver failure rate at 5000 h	0.012 %
Median useful life L70B50	30,000 hour(s)

Product Data

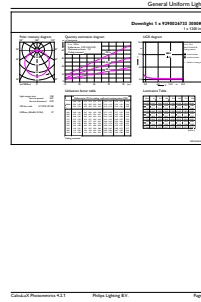
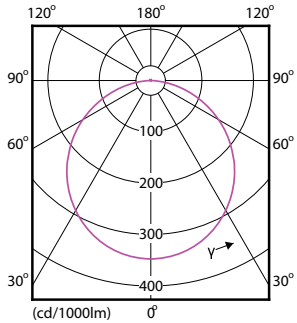
Order product name	DN027B G3 LED12/WW 12W 220-240V D150 RD
Full product name	DN027B G3 LED12/WW 12W 220-240V D150 RD
Full product code	871951434508900
Order code	929002673338
Material Nr. (12NC)	929002673338
Numerator - Quantity Per Pack	1
EAN/UPC - Product/Case	8719514345089
Numerator - Packs per outer box	24
EAN/UPC - Case	8719514345096

Dimensional drawing



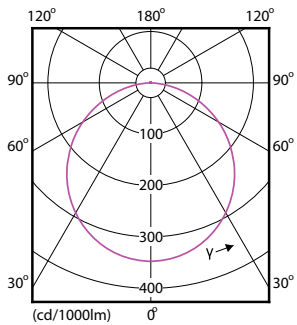
Essential SmartBright LED Downlight

Photometric data



Light Distribution Diagram - DN027B G3 LED12/WW 12W 220-240V D150 RD

General uniform lighting - DN027B G3 LED12/WW 12W 220-240V D150 RD



Light Distribution Diagram - DN027B G3 LED12/WW 12W 220-240V D150 RD

