



# Essential SmartBright LED Downlight

## DN027B G3 LED6/CW 6W 220-240V D100 RD

Essential SmartBright LED Downlight, 6 W, 600 lm, 6500 K, Beam angle 110°, White

Essential SmartBright G2 LED Downlight is value for money product with high efficacy, good quality and reliability. It offers multiple configurations from 300lm to 2000lm output, to replace conventional downlight. It can be used for shopping mall, retail store, residential and office. It's an ideal product family to distribute in trade market.

### Product data

General Information		Operating and Electrical	
Light source replaceable	No	Input Voltage	220 to 240 V
Number of gear units	1 unit	Line Frequency	50 or 60 Hz
Driver included	Yes	Input Frequency	50 or 60 Hz
Lighting Technology	LED	Inrush current	1.82 A
Warranty period	3 years	Inrush time	0.12 ms
Light Technical		Power Consumption	6 W
Luminous Flux	600 lm	Power Factor (Fraction)	0.9
Correlated Color Temperature (Nom)	6500 K	Cable	Cable 0.2 m without plug
Luminous Efficacy (rated) (Nom)	100.00 lm/W	Number of products on MCB of 16 A type B	143
Color rendering index (CRI)	80	Suitable for random switching	No
Light source color	865 cool daylight	Protection class IEC	Safety class II
Optic type	Beam angle 110°	Controls and Dimming	
Luminaire light beam spread	110°	Dimmable	No
		Driver/power unit/transformer	Power supply unit (On/Off)

# Essential SmartBright LED Downlight

Constant light output	No
<b>Mechanical and Housing</b>	
Housing Material	Metal-Plastic
Reflector material	-
Optic material	Polycarbonate
Optical cover material	Polycarbonate
Fixation material	Steel
Housing Color	White
Optical cover finish	Matte
Overall length	125 mm
Overall width	125 mm
Overall height	40 mm
Overall diameter	125 mm
Dimensions (Height x Width x Depth)	40 x 125 x 125 mm
Ingress protection code	IP20/40 [Finger-protected;Wire-protected]
Mech. impact protection code	IK03 [0.3 J]
Net Weight (Piece)	0.125 kg

## Approval and Application

Glow-wire test	Temperature 650 °C, duration 30 s
Flammability mark	For mounting on normally flammable surfaces
EU RoHS compliant	Yes
Ambient temperature range	-20 to +40 °C

## Initial Performance (IEC Compliant)

Luminous flux tolerance	+/-10%
Initial chromaticity	(IEC6500K, 0.313, 0.337) < 5SDCM
Power consumption tolerance	+/-10%

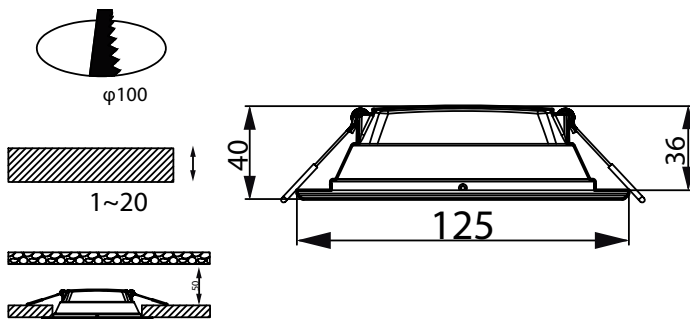
## Over Time Performance (IEC Compliant)

Driver failure rate at 5000 h	0.012 %
Median useful life L70B50	30,000 hour(s)

## Product Data

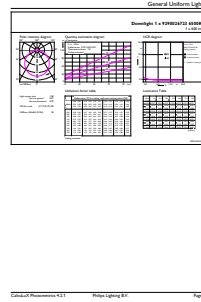
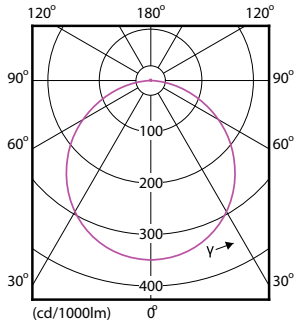
Order product name	DN027B G3 LED6/CW 6W 220-240V D100 RD
Full product name	DN027B G3 LED6/CW 6W 220-240V D100 RD
Full product code	871951434488400
Order code	929002672338
Material Nr. (12NC)	929002672338
Numerator - Quantity Per Pack	1
EAN/UPC - Product/Case	8719514344884
Numerator - Packs per outer box	24
EAN/UPC - Case	8719514344891

## Dimensional drawing



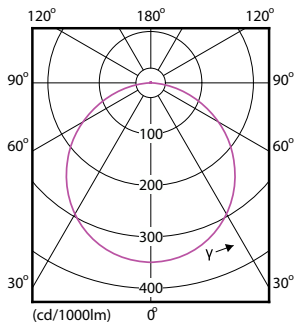
# Essential SmartBright LED Downlight

## Photometric data



Light Distribution Diagram - DN027B G3 LED6/CW 6W 220-240V D100 RD

General uniform lighting - DN027B G3 LED6/CW 6W 220-240V D100 RD



Light Distribution Diagram - DN027B G3 LED6/CW 6W 220-240V D100 RD

