



Classic LED spotLV

LEDspots 7.5W MR16 930 DIM 60D 1PF/10

LEDspot, MR16, 50 W, GU5.3, 3000 K, 710 lm, 25000 hour(s), Glass

LEDspotLV Classic offers an archetypal halogen-like design while delivering the benefits of LED technology, saving around 85% on energy consumption, minimizing maintenance cost, and much more besides. It is compatible with most existing fixtures with a GU 5.3 holder and is designed as a retrofit replacement for halogen or incandescent spots.

Product data

General Information	
Cap-Base	GU5.3
Nominal lifetime	25,000 hour(s)
Switching Cycle	50,000
Rated Lifetime (Hours)	25,000 hour(s)
Lighting Technology	LEDspot
Light Technical	
Color Code	930 [CCT of 3000K]
Color Code	930 [CCT of 3000K]
Beam Angle (Nom)	60 degree(s)
Luminous Flux	710 lm
Luminous Intensity (Nom)	800 cd
Color Designation	White (WH)
Correlated Color Temperature (Nom)	3000 K
Luminous Efficacy (rated) (Nom)	94 lm/W
Color Consistency	<6
Color rendering index (CRI)	90

LLMF At End Of Nominal Lifetime (Nom)	70 %
Photobiological safety according to EN 62471 RG1	
Operating and Electrical	
Input Frequency	- Hz
Power Consumption	7.5 W
Lamp Current (Nom)	660 mA
Wattage Equivalent	50 W
Starting Time (Nom)	0.5 s
Warm-up time to 60% light	0.5 s
Power Factor (Fraction)	0.7
Voltage (Nom)	ac electronic 12 V
Temperature	
T-Case Maximum (Nom)	95 °C

Classic LED spotLV

Controls and Dimming

Dimmable	Only with specific dimmers
----------	----------------------------

Mechanical and Housing

Bulb Finish	Clear
Bulb Material	Glass
Overall length	45.5 mm
Overall width	50.5 mm
Overall height	45.5 mm
Dimensions (Height x Width x Depth)	46 x 51 x 46 mm
Bulb Shape	MR16
Net Weight (Piece)	0.050 kg

Approval and Application

Suitable For Accent Lighting	Yes
Energy Consumption kWh/1000 h	9 kWh
EU RoHS compliant	Yes
EyeComfort	Yes
LED Innovations	EyeComfort

Ambient temperature range	-20 to +40 °C
---------------------------	---------------

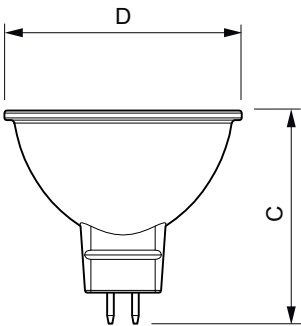
Application Conditions

Wireless Technology	Not applicable
---------------------	----------------

Product Data

Order product name	LEDspots 7.5W MR16 930 DIM 60D 1PF/10
Full product name	LEDspots 7.5W MR16 930 DIM 60D 1PF/10
Full product code	871951435763100
Order code	929002493609
Material Nr. (12NC)	929002493609
Numerator - Quantity Per Pack	1
EAN/UPC - Product/Case	8719514357631
Numerator - Packs per outer box	10
EAN/UPC - Case	8719514357648

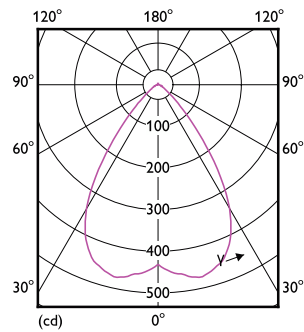
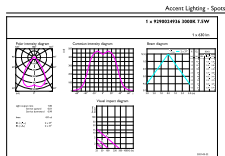
Dimensional drawing



Product

LEDspots 7.5W MR16 930 DIM 60D 1PF/10

Photometric data

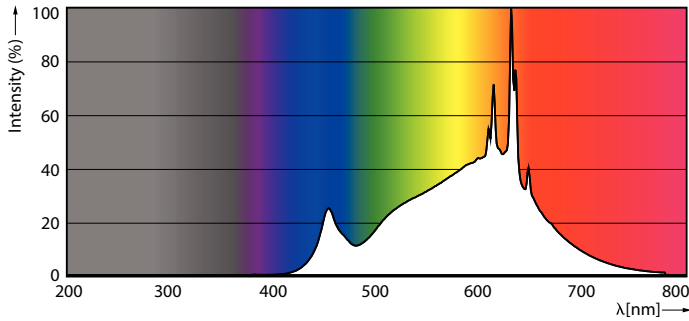


Accent Lighting Spots - LEDspots 7.5W MR16 930 DIM 60D 1PF/10

Light Distribution Diagram - LEDspots 7.5W MR16 930 DIM 60D 1PF/10

Classic LED spotLV

Photometric data



Spectral Power Distribution Colour - LEDspots 7.5W MR16 930 DIM 60D
1PF/10

Lifetime



Life Expectancy Diagram



Lumen Maintenance Diagram - LEDspots 7.5W MR16 930 DIM 60D 1PF/10

