



# MASTER VALUE LED spot LV

## MASTER LED SPOT VLE D 7.5-50W MR16 940 36D

MASTER Value, LEDspot, MR16, 50 W, GU5.3, 4000 K, 660 lm, CRI 90, 25000 hour(s), Glass

Delivering a warm, halogen-like accent beam, MASTER LEDspot LV is an ideal retrofit solution for spot and general lighting applications in the hospitality industry. It is particularly suited to public areas such as receptions, lobbies, corridors, stairwells and washrooms, where the light is on all the time. The robustly designed MASTER LEDspot offers a choice of beam angles for a clearly defined beam spread. There is no UV or IR in the beam, making it suitable for illuminating heat-sensitive objects (food, organic materials, paintings, etc.). The patented intelligent driver enables broad compatibility with existing electromagnetic and electronic halogen transformers. The dimmable versions drive further efficiencies, while helping to create the desired atmosphere.

### Warnings and Safety

- Operating temperature range is between -20° C and 45° C ambient
- Only to apply in dry or damp locations and most of open fixtures with lamp-holders that offer sufficient space (10 mm free air space)
- Not intended for use with emergency light fixtures or exit lights

### Product data

General Information		Flux measurement reference	
Cap-Base	GU5.3		Narrow Cone
Nominal lifetime	25,000 hour(s)	Warranty period	5 years
Switching Cycle	50,000	Light Technical	
Lighting Technology	LEDspot	Color Code	940 [CCT of 4000K]

# MASTER VALUE LED spot LV

Beam Angle (Nom)	36 degree(s)
Luminous Flux	660 lm
Luminous Intensity (Nom)	1,500 cd
Color Designation	Cool White (CW)
Correlated Color Temperature (Nom)	4000 K
Luminous Efficacy (rated) (Nom)	88.00 lm/W
Color Consistency	<6
Color rendering index (CRI)	90
LLMF At End Of Nominal Lifetime (Nom)	70 %
Luminous Flux in 90° Cone (Rated)	660 lm
Photobiological safety according to EN 62471	RG1

## Operating and Electrical

Line Frequency	- Hz
Input Frequency	- Hz
Power Consumption	7.5 W
Lamp Current (Nom)	660 mA
Wattage Equivalent	50 W
Starting Time (Nom)	0.5 s
Warm-up time to 60% light	0.5 s
Power Factor (Fraction)	0.7
Voltage (Nom)	ac electronic 12 V

## Temperature

T-Case Maximum (Nom)	95 °C
----------------------	-------

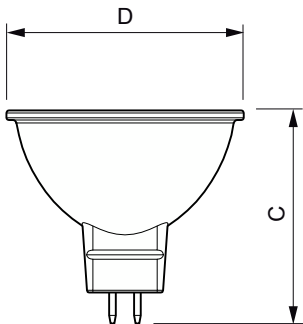
## Controls and Dimming

Dimmable	Only with specific dimmers
----------	----------------------------

## Mechanical and Housing

Bulb Finish	Clear
Bulb Material	Glass

## Dimensional drawing



Bulb Shape	MR16
Net Weight (Piece)	0.045 kg

## Approval and Application

Energy Efficiency Class	F
Suitable For Accent Lighting	Yes
Energy Consumption kWh/1000 h	8 kWh
EPREL Registration Number	453182
CE mark	Yes
EU RoHS compliant	Yes
EyeComfort	Yes
Ambient temperature range	-20 to +40 °C

## Application Conditions

can it be used in closed luminaires	No
Wireless Technology	Not applicable

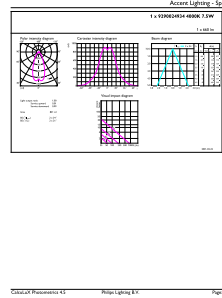
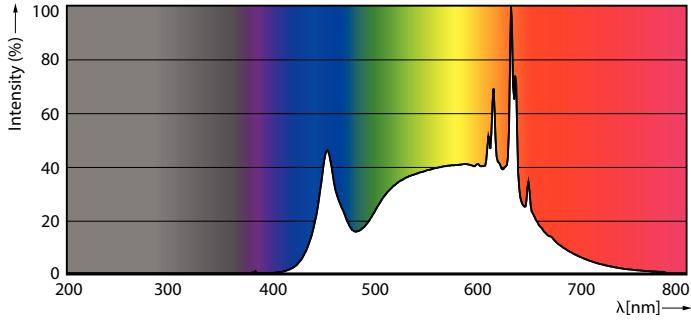
## Product Data

Order product name	MAS LED SPOT VLE D 7.5-50W MR16 940 36D
Full product name	MASTER LED SPOT VLE D 7.5-50W MR16 940 36D
Full product code	871951430736000
Order code	30736000
Material Nr. (12NC)	929002493402
Numerator - Quantity Per Pack	1
EAN/UPC - Product/Case	8719514307360
Numerator - Packs per outer box	10
EAN/UPC - Case	8719514307377

Product	D	C
MAS LED SPOT VLE D 7.5-50W MR16 940 36D	50.5 mm	45.5 mm

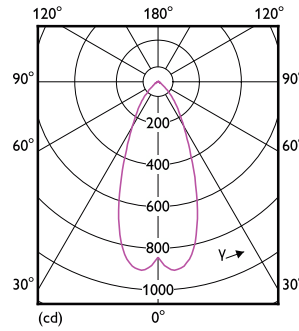
# MASTER VALUE LED spot LV

## Photometric data



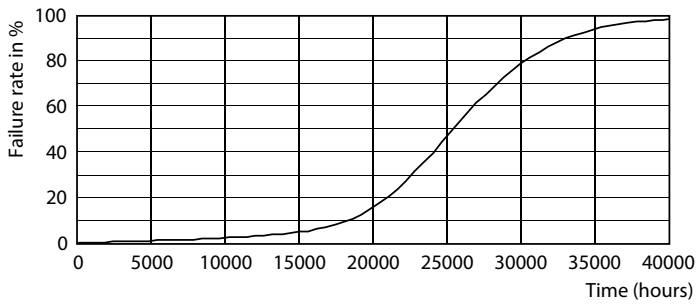
Spectral Power Distribution Colour - MAS LED SPOT VLE D 7.5-50W MR16 940 36D

Accent Lighting Spots - MAS LED SPOT VLE D 7.5-50W MR16 940 36D



Light Distribution Diagram - MAS LED SPOT VLE D 7.5-50W MR16 940 36D

## Lifetime



Life Expectancy Diagram



Lumen Maintenance Diagram - MAS LED SPOT VLE D 7.5-50W MR16 940 36D

## MASTER VALUE LED spot LV

