



MASTER VALUE LED spot LV

MAS LED spot VLE D 5.8-35W MR16 940 60D

MASTER Value, LEDspot, MR16, 35 W, GU5.3, 4000 K, 490 lm, CRI 90, 25000 hour(s), Glass

Delivering a warm, halogen-like accent beam, MASTER LEDspot LV is an ideal retrofit solution for spot and general lighting applications in the hospitality industry. It is particularly suited to public areas such as receptions, lobbies, corridors, stairwells and washrooms, where the light is on all the time. The robustly designed MASTER LEDspot offers a choice of beam angles for a clearly defined beam spread. There is no UV or IR in the beam, making it suitable for illuminating heat-sensitive objects (food, organic materials, paintings, etc.). The patented intelligent driver enables broad compatibility with existing electromagnetic and electronic halogen transformers. The dimmable versions drive further efficiencies, while helping to create the desired atmosphere.

Warnings and Safety

- Operating temperature range is between -20° C and 45° C ambient
- Only to apply in dry or damp locations and most of open fixtures with lamp-holders that offer sufficient space (10 mm free air space)
- Not intended for use with emergency light fixtures or exit lights

Product data

| General Information | | Flux measurement reference | |
|---------------------|----------------|----------------------------|--------------------|
| Cap-Base | GU5.3 | | Narrow Cone |
| Nominal lifetime | 25,000 hour(s) | Warranty period | 5 years |
| Switching Cycle | 50,000 | Light Technical | |
| Lighting Technology | LEDspot | Color Code | 940 [CCT of 4000K] |

MASTER VALUE LED spot LV

| | |
|--|-----------------|
| Beam Angle (Nom) | 60 degree(s) |
| Luminous Flux | 490 lm |
| Luminous Intensity (Nom) | 550 cd |
| Color Designation | Cool White (CW) |
| Correlated Color Temperature (Nom) | 4000 K |
| Luminous Efficacy (rated) (Nom) | 84.00 lm/W |
| Color Consistency | <6 |
| Color rendering index (CRI) | 90 |
| LLMF At End Of Nominal Lifetime (Nom) | 70 % |
| Luminous Flux in 90° Cone (Rated) | 490 lm |
| Photobiological safety according to EN 62471 | RG1 |

Operating and Electrical

| | |
|---------------------------|--------------------|
| Line Frequency | - Hz |
| Input Frequency | - Hz |
| Power Consumption | 5.8 W |
| Lamp Current (Nom) | 510 mA |
| Wattage Equivalent | 35 W |
| Starting Time (Nom) | 0.5 s |
| Warm-up time to 60% light | 0.5 s |
| Power Factor (Fraction) | 0.7 |
| Voltage (Nom) | ac electronic 12 V |

Temperature

| | |
|----------------------|-------|
| T-Case Maximum (Nom) | 85 °C |
|----------------------|-------|

Controls and Dimming

| | |
|----------|----------------------------|
| Dimmable | Only with specific dimmers |
|----------|----------------------------|

Mechanical and Housing

| | |
|---------------|-------|
| Bulb Finish | Clear |
| Bulb Material | Glass |

| | |
|--------------------|----------|
| Bulb Shape | MR16 |
| Net Weight (Piece) | 0.045 kg |

Approval and Application

| | |
|-------------------------------|---------------|
| Energy Efficiency Class | F |
| Suitable For Accent Lighting | Yes |
| Energy Consumption kWh/1000 h | 6 kWh |
| EPREL Registration Number | 453178 |
| CE mark | Yes |
| EU RoHS compliant | Yes |
| EyeComfort | Yes |
| Ambient temperature range | -20 to +40 °C |

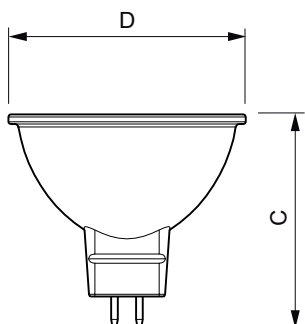
Application Conditions

| | |
|-------------------------------------|----------------|
| can it be used in closed luminaires | No |
| Wireless Technology | Not applicable |

Product Data

| | |
|---------------------------------|---|
| Order product name | MAS LED spot VLE D 5.8-35W MR16 940 60D |
| Full product name | MAS LED spot VLE D 5.8-35W MR16 940 60D |
| Full product code | 871951430728500 |
| Order code | 929002493002 |
| Material Nr. (12NC) | 929002493002 |
| Numerator - Quantity Per Pack | 1 |
| EAN/UPC - Product/Case | 8719514307285 |
| Numerator - Packs per outer box | 10 |
| EAN/UPC - Case | 8719514307292 |

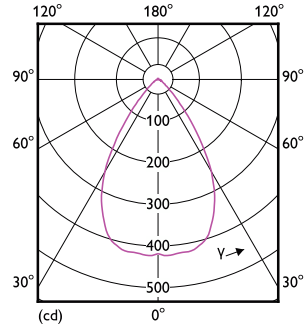
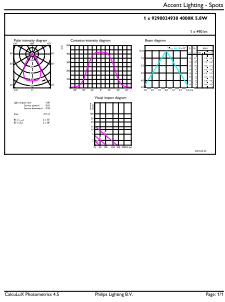
Dimensional drawing



| Product | D | C |
|---|---------|---------|
| MAS LED spot VLE D 5.8-35W MR16 940 60D | 50.5 mm | 45.5 mm |

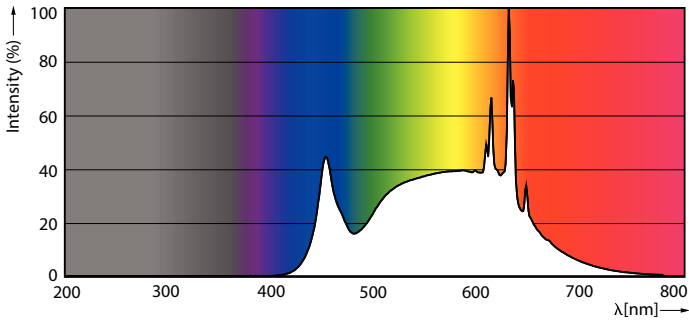
MASTER VALUE LED spot LV

Photometric data



Accent Lighting Spots - MAS LED spot VLE D 5.8-35W MR16 940 60D

Light Distribution Diagram - MAS LED spot VLE D 5.8-35W MR16 940 60D

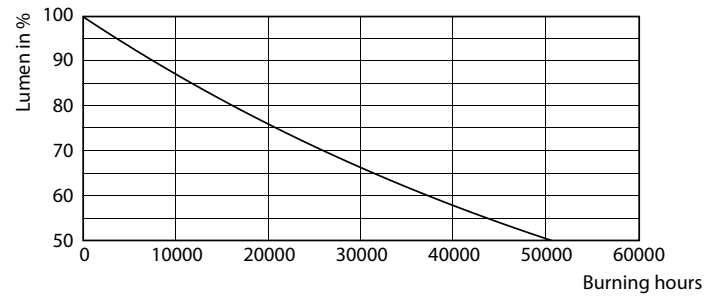


Spectral Power Distribution Colour - MAS LED spot VLE D 5.8-35W MR16 940 60D

Lifetime



Life Expectancy Diagram



Lumen Maintenance Diagram - MAS LED spot VLE D 5.8-35W MR16 940 60D

MASTER VALUE LED spot LV

