



MASTER VALUE LED spot LV

MAS LED spot VLE D 5.8-35W MR16 927 36D

MASTER Value, LEDspot, MR16, 35 W, GU5.3, 2700 K, 450 lm, CRI 90, 25000 hour(s), Glass

MASTER Value, LEDspot, MR16, 35 W, GU5.3, 2700 K, 450 lm, CRI 90, 25000 hour(s), Glass, 77 lm/W, EEL G, PF 0.7, Beam angle 36 degree(s), RG1, IP20

Warnings and Safety

- Operating temperature range is between -20° C and 45° C ambient
- Only to apply in dry or damp locations and most of open fixtures with lamp-holders that offer sufficient space (10 mm free air space)
- Not intended for use with emergency light fixtures or exit lights

Product data

General Information		Color Designation	
Cap-Base	GU5.3	Color Designation	Warm White (WW)
Nominal lifetime	25,000 hour(s)	Correlated Color Temperature (Nom)	2700 K
Switching Cycle	50,000	Luminous Efficacy (rated) (Nom)	77 lm/W
Lighting Technology	LEDspot	Color Consistency	<6
Flux measurement reference	Narrow Cone	Color rendering index (CRI)	90
Warranty period	5 years	LLMF At End Of Nominal Lifetime (Nom)	70 %
		Luminous Flux in 90° Cone (Rated)	450 lm
		Photobiological safety according to EN 62471	RG1
Light Technical		Operating and Electrical	
Color Code	927 [CCT of 2700K]	Line Frequency	- Hz
Beam Angle (Nom)	36 degree(s)	Input Frequency	- Hz
Luminous Flux	450 lm	Power Consumption	5.8 W
Luminous Intensity (Nom)	1,300 cd		

MASTER VALUE LED spot LV

Lamp Current (Nom)	510 mA
Wattage Equivalent	35 W
Starting Time (Nom)	0.5 s
Warm-up time to 60% light	0.5 s
Power Factor (Fraction)	0.7
Voltage (Nom)	ac electronic 12 V

Temperature

T-Case Maximum (Nom)	85 °C
----------------------	-------

Controls and Dimming

Dimmable	Only with specific dimmers
----------	----------------------------

Mechanical and Housing

Bulb Finish	Clear
Bulb Material	Glass
Bulb Shape	MR16
Net Weight (Piece)	0.045 kg

Approval and Application

Energy Efficiency Class	G
Suitable For Accent Lighting	Yes
Energy Consumption kWh/1000 h	6 kWh
EPREL Registration Number	453173

CE mark	Yes
EU RoHS compliant	Yes
EyeComfort	Yes
Ambient temperature range	-20 to +40 °C

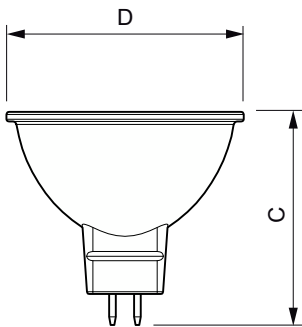
Application Conditions

can it be used in closed luminaires	No
Wireless Technology	Not applicable

Product Data

Order product name	MAS LED spot VLE D 5.8-35W MR16 927 36D
Full product name	MAS LED spot VLE D 5.8-35W MR16 927 36D
Full product code	871951430718600
Order code	929002492502
Material Nr. (12NC)	929002492502
Numerator - Quantity Per Pack	1
EAN/UPC - Product/Case	8719514307186
Numerator - Packs per outer box	10
EAN/UPC - Case	8719514307193

Dimensional drawing



Product	D	C
MAS LED spot VLE D 5.8-35W MR16 927 36D	50.5 mm	45.5 mm

MASTER VALUE LED spot LV

