



MASTER LED spot LV



MAS LEDspotLV D 7.5-50W 927 MR16 24D

MASTER, LEDspot, MR16, 50 W, GU5.3, 2700 K, 621 lm, CRI 90, 40000 hour(s)

Delivering intense accent beam, MASTER LEDspot LV is an ideal retrofit solution for spot lighting. MASTER LEDspot LV is designed to replace halogen or incandescent spots. It realizes natural colors, enables cozy and comfortable ambience for residential, hospitality and emphasizes the beauty of merchandise in retail. New smaller housing provides perfect fitting with majority of luminaires in a market with a MR16 GU 5.3 holder. It not only employs Philips' patented solution to guarantee the broadest possible compatibility with standard 12V halogen electronic transformers, it also delivers high beam intensity which is equivalent to halogen MR16 spots. The dimming function enables to create the desired atmosphere and it works with broad selection of dimmers. Its high SDCM ensure stricter color consistency, that is maintained over product life. MASTER LEDspot LV delivers huge energy savings and minimizes maintenance cost without any compromise on light quality and lifetime, enabling residential and business owners to achieve a return on their investment within short period time.

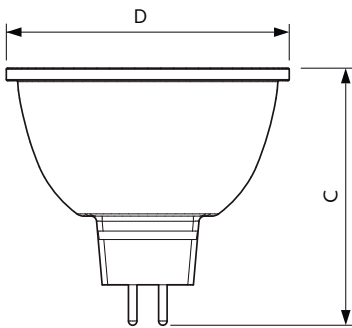
Product data

General Information			
Cap-Base	GU5.3	Beam Angle (Nom)	24 degree(s)
Nominal lifetime	40,000 hour(s)	Luminous Flux	621 lm
Switching Cycle	50,000	Luminous Intensity (Nom)	3,900 cd
Lighting Technology	LEDspot	Color Designation	Warm White (WW)
Flux measurement reference	Narrow Cone	Correlated Color Temperature (Nom)	2700 K
Warranty period	5 years	Luminous Efficacy (rated) (Nom)	82.00 lm/W
Light Technical		Color Consistency	<4
Color Code	927 [CCT of 2700K]	Color rendering index (CRI)	90
		LLMF At End Of Nominal Lifetime (Nom)	70 %
		Luminous Flux in 90° Cone (Rated)	621 lm

MASTER LED spot LV

Photobiological safety according to EN 62471 RG1	
Operating and Electrical	
Line Frequency	- Hz
Input Frequency	- Hz
Power Consumption	7.5 W
Lamp Current (Nom)	720 mA
Wattage Equivalent	50 W
Starting Time (Nom)	0.5 s
Warm-up time to 60% light	0.5 s
Power Factor (Fraction)	0.7
Voltage (Nom)	ac electronic 12 V
Temperature	
T-Case Maximum (Nom)	90 °C
Controls and Dimming	
Dimmable	Only with specific dimmers
Mechanical and Housing	
Bulb Shape	MR16
Net Weight (Piece)	0.052 kg
Approval and Application	
Energy Efficiency Class	F
Suitable For Accent Lighting	Yes

Dimensional drawing

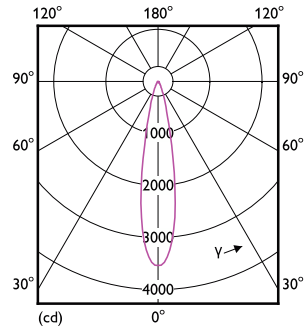
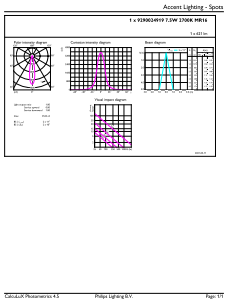


Energy Consumption kWh/1000 h	8 kWh
EPREL Registration Number	465196
CE mark	Yes
EU RoHS compliant	Yes
EyeComfort	Yes
Ambient temperature range	-20 to +40 °C
Application Conditions	
can it be used in closed luminaires	No
Wireless Technology	Not applicable
Product Data	
Order product name	MAS LEDspotLV D 7.5-50W 927 MR16 24D
Full product name	MAS LEDspotLV D 7.5-50W 927 MR16 24D
Full product code	871951430746900
Order code	929002491902
Material Nr. (12NC)	929002491902
Numerator - Quantity Per Pack	1
EAN/UPC - Product/Case	8719514307469
Numerator - Packs per outer box	10
EAN/UPC - Case	8719514307476

Product	D	C
MAS LEDspotLV D 7.5-50W 927 MR16 24D	50 mm	45.5 mm

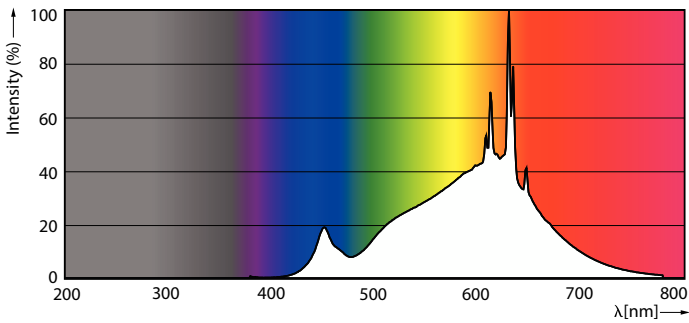
MASTER LED spot LV

Photometric data



Accent Lighting Spots - MAS LEDspotLV D 7.5-50W 927 MR16 24D

Light Distribution Diagram - MAS LEDspotLV D 7.5-50W 927 MR16 24D

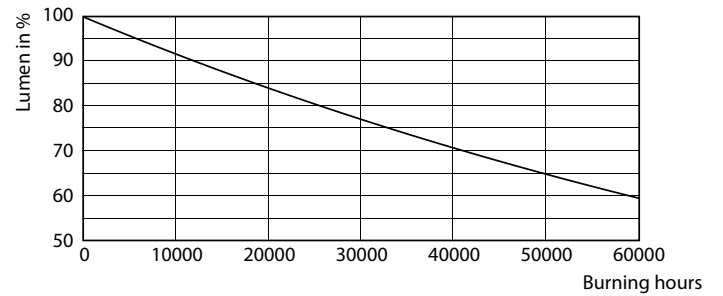


Spectral Power Distribution Colour - MAS LEDspotLV D 7.5-50W 927 MR16 24D

Lifetime



Life Expectancy Diagram



Lumen Maintenance Diagram - MAS LEDspotLV D 7.5-50W 927 MR16 24D

MASTER LED spot LV

