



MASTER LED spot LV AR111

MAS LED ExpertColor 15-75W 927 AR111 24D

LEDspot, AR111, 75 W, G53, 2700 K, 950 lm, 40000 hour(s)

Delivering a warm, halogen-like accent beam, MASTER LEDspot LV AR111 is an ideal retrofit solution for spot and general lighting applications in the hospitality and retail industry. It is particularly suitable for general lighting where the light is on all the time, such as creative accent lighting applications in shops, restaurants, hotels, and especially for galleries, exhibitions and museums. The robustly designed MASTER LEDspot LV AR111 offers various beam angles for a clearly defined beam spread. There is no UV or IR in the beam, making it suitable for illuminating heat-sensitive objects (food, organic materials, paintings, etc.). The patented intelligent driver enables broad compatibility with existing electromagnetic and electronic halogen transformers. MASTER LEDspot LV AR111 delivers huge energy savings and minimizes maintenance cost without any reduction in brightness.

Product data

| General Information | | | |
|---------------------|--------------------|---------------------------------------|-----------------|
| Cap-Base | G53 | Luminous Intensity (Nom) | 3,500 cd |
| Nominal lifetime | 40,000 hour(s) | Color Designation | Warm White (WW) |
| Switching Cycle | 50,000 | Correlated Color Temperature (Nom) | 2700 K |
| Lighting Technology | LEDspot | Luminous Efficacy (rated) (Nom) | 63.00 lm/W |
| Warranty period | 3 years | Color Consistency | <4 |
| | | Color rendering index (CRI) | 97 |
| | | LLMF At End Of Nominal Lifetime (Nom) | 70 % |
| Light Technical | | Operating and Electrical | |
| Color Code | 927 [CCT of 2700K] | Line Frequency | - Hz |
| Beam Angle (Nom) | 24 degree(s) | Input Frequency | - Hz |
| Luminous Flux | 950 lm | | |

MASTER LED spot LV AR111

| | |
|---------------------------|--------------------|
| Power Consumption | 15 W |
| Lamp Current (Nom) | 1,800 mA |
| Wattage Equivalent | 75 W |
| Starting Time (Nom) | 0.5 s |
| Warm-up time to 60% light | 0.5 s |
| Power Factor (Fraction) | 0.7 |
| Voltage (Nom) | ac electronic 12 V |

Temperature

| | |
|----------------------|-------|
| T-Case Maximum (Nom) | 74 °C |
|----------------------|-------|

Controls and Dimming

| | |
|----------|-----|
| Dimmable | Yes |
|----------|-----|

Mechanical and Housing

| | |
|--------------------|----------|
| Bulb Shape | AR111 |
| Net Weight (Piece) | 0.160 kg |

Approval and Application

| | |
|------------------------------|-----|
| Suitable For Accent Lighting | Yes |
|------------------------------|-----|

| | |
|-------------------------------|---------------|
| Energy Consumption kWh/1000 h | 17 kWh |
| EU RoHS compliant | Yes |
| Ambient temperature range | -20 to +45 °C |

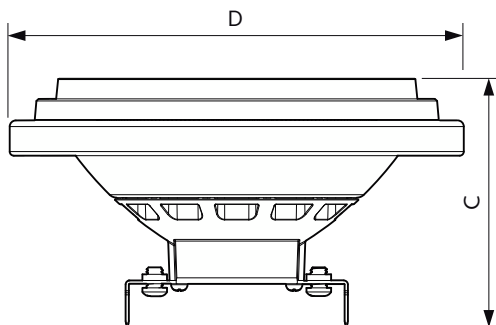
Application Conditions

| | |
|---------------------|----------------|
| Wireless Technology | Not applicable |
|---------------------|----------------|

Product Data

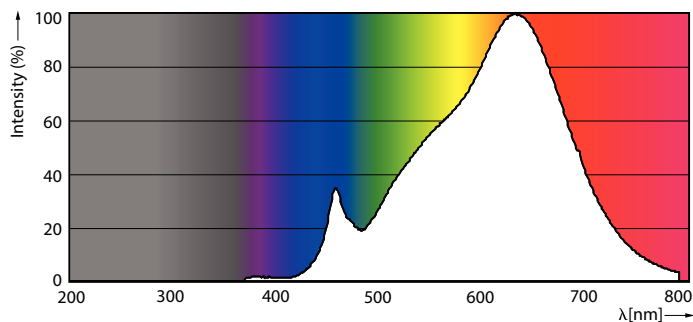
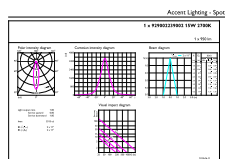
| | |
|---------------------------------|--|
| Order product name | MAS LED ExpertColor 15-75W 927 AR111 24D |
| Full product name | MAS LED ExpertColor 15-75W 927 AR111 24D |
| Full product code | 871869969091500 |
| Order code | 69091500 |
| Material Nr. (12NC) | 929002239008 |
| Numerator - Quantity Per Pack | 1 |
| EAN/UPC - Product/Case | 8718699690915 |
| Numerator - Packs per outer box | 6 |
| EAN/UPC - Case | 8718699690922 |

Dimensional drawing



| Product | D | C |
|--|--------|-------|
| MAS LED ExpertColor 15-75W 927 AR111 24D | 111 mm | 62 mm |

Photometric data

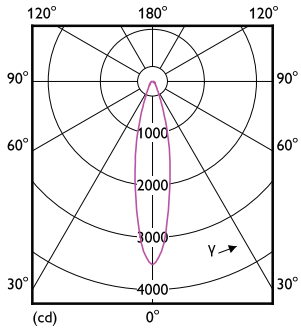


General uniform lighting - MAS LED ExpertColor 15-75W 927 AR111 24D

Spectral Power Distribution Colour - MAS LED ExpertColor 15-75W 927 AR111 24D

MASTER LED spot LV AR111

Photometric data

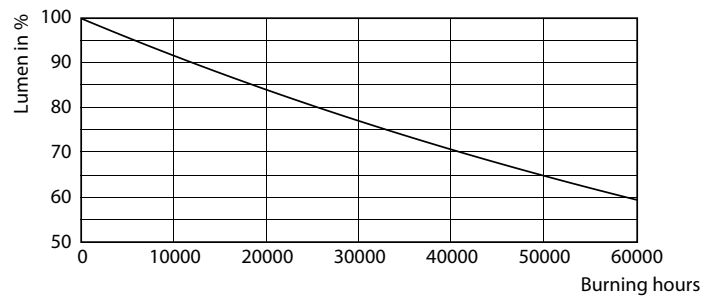


Light Distribution Diagram - MAS LED ExpertColor 15-75W 927 AR111 24D

Lifetime



Life Expectancy Diagram



Lumen Maintenance Diagram - MAS LED ExpertColor 15-75W 927 AR111 24D

