



CorePro LED spot LV

CorePro LED spot ND 7-50W MR16 830 36D

MASTER, LEDspot, MR16, 50 W, GU5.3, 3000 K, 621 lm, CRI 80, 15000 hour(s), Glass

MASTER, LEDspot, MR16, 50 W, GU5.3, 3000 K, 621 lm, CRI 80, 15000 hour(s), Glass, 88 lm/W, EEL F, PF 0.8, Beam angle 36 degree(s), IP20

Product data

General Information	
Cap-Base	GU5.3
Nominal lifetime	15,000 hour(s)
Switching Cycle	50,000
Lighting Technology	LEDspot
Flux measurement reference	Narrow Cone
Warranty period	5 years
Light Technical	
Color Code	830 [CCT of 3000K]
Beam Angle (Nom)	36 degree(s)
Luminous Flux	621 lm
Luminous Intensity (Nom)	1,400 cd
Color Designation	White (WH)
Correlated Color Temperature (Nom)	3000 K
Luminous Efficacy (rated) (Nom)	88 lm/W
Color Consistency	<6
Color rendering index (CRI)	80
LLMF At End Of Nominal Lifetime (Nom)	70 %
Luminous Flux in 90° Cone (Rated)	621 lm

Operating and Electrical	
Line Frequency	- Hz
Input Frequency	- Hz
Power Consumption	7 W
Lamp Current (Nom)	730 mA
Wattage Equivalent	50 W
Starting Time (Nom)	0.5 s
Warm-up time to 60% light	0.5 s
Power Factor (Fraction)	0.8
Voltage (Nom)	12 V
Temperature	
T-Case Maximum (Nom)	85 °C
Controls and Dimming	
Dimmable	No
Mechanical and Housing	
Bulb Finish	Clear
Bulb Material	Glass
Bulb Shape	MR16

CorePro LED spot LV

Net Weight (Piece)	0.034 kg
--------------------	----------

Approval and Application

Energy Efficiency Class	F
Suitable For Accent Lighting	Yes
Energy Consumption kWh/1000 h	7 kWh
EPREL Registration Number	465222
CE mark	Yes
EU RoHS compliant	Yes
EyeComfort	Yes
Ambient temperature range	-20 to +40 °C

Application Conditions

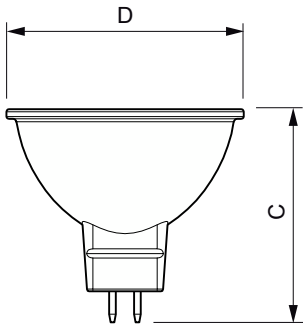
can it be used in closed luminaires	No
-------------------------------------	----

Wireless Technology	Not applicable
---------------------	----------------

Product Data

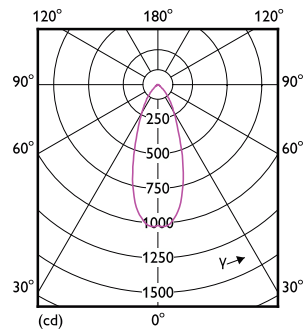
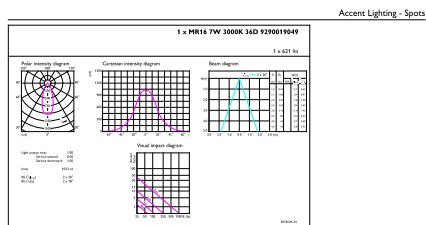
Order product name	CorePro LED spot ND 7-50W MR16 830 36D
Full product name	CorePro LED spot ND 7-50W MR16 830 36D
Full product code	871869681477200
Order code	81477200
Material Nr. (12NC)	929001904902
Numerator - Quantity Per Pack	1
EAN/UPC - Product/Case	8718696814772
Numerator - Packs per outer box	10
EAN/UPC - Case	8718696814789

Dimensional drawing



Product	D	C
CorePro LED spot ND 7-50W MR16 830 36D	50.5 mm	45 mm

Photometric data



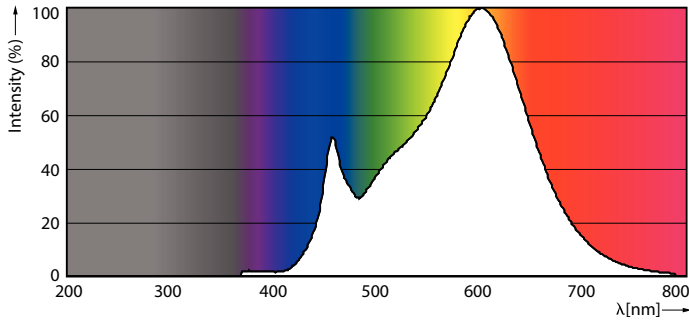
CaluxX Photometrics 4.3 Philips Lighting B.V. Page: 1/1

Accent Lighting Spots - CorePro LED spot ND 7-50W MR16 830 36D

Light Distribution Diagram - CorePro LED spot ND 7-50W MR16 830 36D

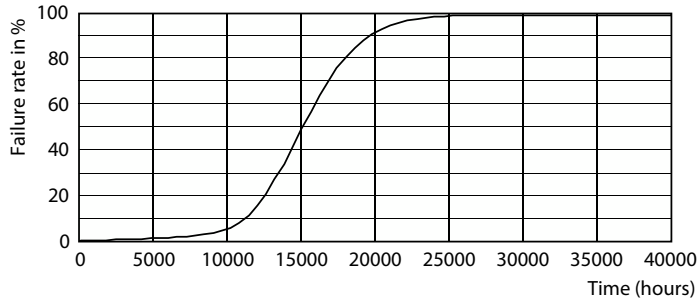
CorePro LED spot LV

Photometric data

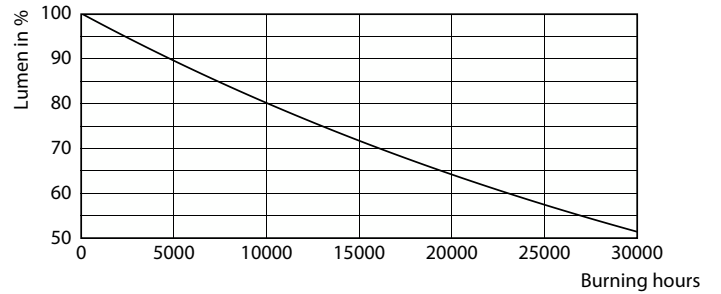


Spectral Power Distribution Colour - CorePro LED spot ND 7-50W MR16 830 36D

Lifetime



LEDspot Corepro 7-50W GU5.3 MR16 827 36D ND



Lumen Maintenance Diagram - CorePro LED spot ND 7-50W MR16 830 36D

