



Essential LED spot MR16

ESS LED MR16 4.5-50W 36D 830 100-240V

LEDspot, MR16, 50 W, GU5.3, 3000 K, 400 lm, 15000 hour(s)

LEDspot, MR16, 50 W, GU5.3, 3000 K, 400 lm, 15000 hour(s), 88.00 lm/W

Product data

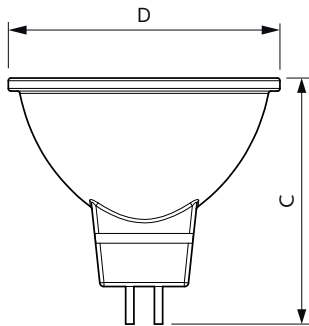
General Information		Power Consumption	
Cap-Base	GU5.3	Power Consumption	4.5 W
Nominal lifetime	15,000 hour(s)	Lamp Current (Max)	77 mA
Switching Cycle	50,000	Lamp Current (Min)	43 mA
Lighting Technology	LEDspot	Wattage Equivalent	50 W
		Starting Time (Nom)	0.5 s
		Warm-up time to 60% light	0.5 s
		Power Factor (Fraction)	0.4
		Voltage (Nom)	100-240 V
Light Technical		Temperature	
Color Code	830 [CCT of 3000K]	T-Case Maximum (Nom)	65 °C
Beam Angle (Nom)	36 degree(s)		
Luminous Flux	400 lm	Controls and Dimming	
Luminous Intensity (Nom)	700 cd	Dimmable	No
Color Designation	White (WH)		
Correlated Color Temperature (Nom)	3000 K	Mechanical and Housing	
Luminous Efficacy (rated) (Nom)	88.00 lm/W	Bulb Shape	MR16
Color Consistency	<6	Net Weight (Piece)	0.030 kg
Color rendering index (CRI)	80		
LLMF At End Of Nominal Lifetime (Nom)	70 %	Approval and Application	
		Suitable For Accent Lighting	Yes
Operating and Electrical			
Line Frequency	50 to 60 Hz		
Input Frequency	50 to 60 Hz		

Essential LED spot MR16

EU RoHS compliant	Yes
Ambient temperature range	-20 to +40 °C
Application Conditions	
Wireless Technology	Not applicable
Product Data	
Order product name	ESS LED MR16 4.5-50W 36D 830 100-240V
Full product name	ESS LED MR16 4.5-50W 36D 830 100-240V

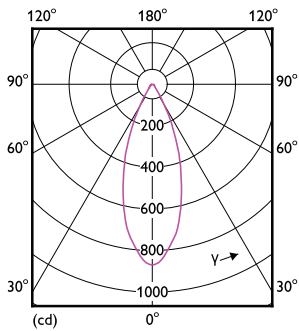
Full product code	871951428453100
Order code	929001874068
Material Nr. (12NC)	929001874068
Numerator - Quantity Per Pack	1
EAN/UPC - Product/Case	8719514284531
Numerator - Packs per outer box	10
EAN/UPC - Case	8719514284548

Dimensional drawing

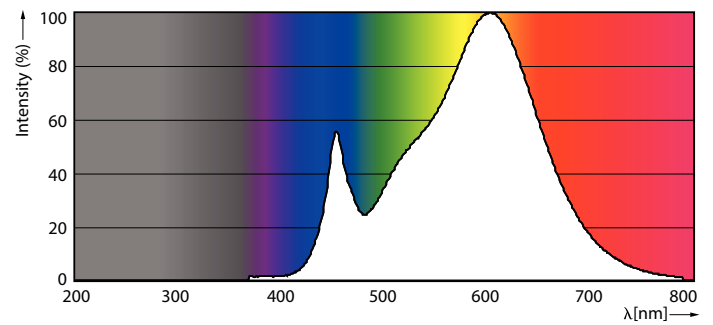


Product	D	C
ESS LED MR16 4.5-50W 36D 830 100-240V	50.5 mm	46.5 mm

Photometric data



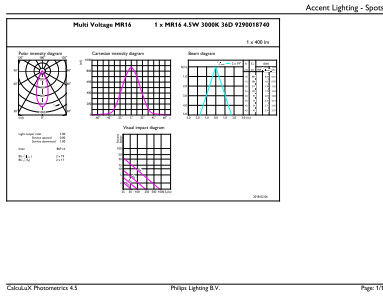
Light Distribution Diagram - ESS LED MR16 4.5-50W 36D 830 100-240V



Spectral Power Distribution Colour - ESS LED MR16 4.5-50W 36D 830 100-240V

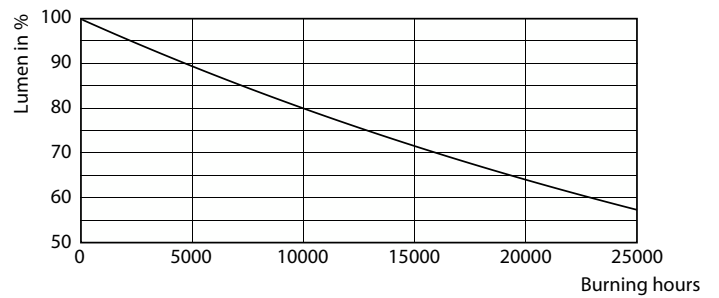
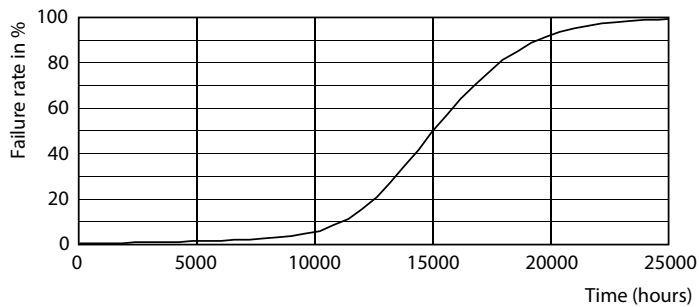
Essential LED spot MR16

Photometric data



Accent Lighting Spots - ESS LED MR16 4.5-50W 36D 830 100-240V

Lifetime



50W GU5-3 MR16

Lumen Maintenance Diagram - ESS LED MR16 4.5-50W 36D 830 100-240V

