



# Essential LED spot MR16

## ESS LED MR16 4.5-50W 36D 830 100-240V

LEDspot, MR16, 50 W, GU5.3, 3000 K, 400 lm, 15000 hour(s)

Essential LEDspots MR16 are compatible with most existing fixtures with a GU5.3 socket and are designed as a retrofit replacement for halogen spots. Essential LEDspots MR16 deliver significant energy savings and minimize initial investment.

### Product data

General Information	
Cap-Base	GU5.3
Nominal lifetime	15,000 hour(s)
Switching Cycle	50,000
Lighting Technology	LEDspot

Light Technical	
Color Code	830 [CCT of 3000K]
Beam Angle (Nom)	36 degree(s)
Luminous Flux	400 lm
Luminous Intensity (Nom)	700 cd
Color Designation	White (WH)
Correlated Color Temperature (Nom)	3000 K
Luminous Efficacy (rated) (Nom)	88.00 lm/W
Color Consistency	<6
Color rendering index (CRI)	80
LLMF At End Of Nominal Lifetime (Nom)	70 %

Operating and Electrical	
Line Frequency	50 to 60 Hz
Input Frequency	50 to 60 Hz
Power Consumption	4.5 W
Lamp Current (Max)	77 mA
Lamp Current (Min)	43 mA
Wattage Equivalent	50 W
Starting Time (Nom)	0.5 s
Warm-up time to 60% light	0.5 s
Power Factor (Fraction)	0.4
Voltage (Nom)	100-240 V

Temperature	
T-Case Maximum (Nom)	65 °C

Controls and Dimming	
Dimmable	No

# Essential LED spot MR16

## Mechanical and Housing

Bulb Shape	MR16
Net Weight (Piece)	0.030 kg

## Approval and Application

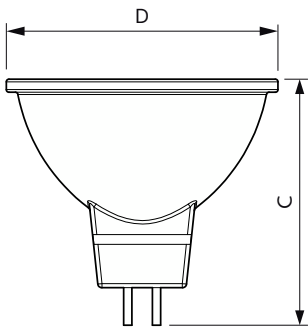
Suitable For Accent Lighting	Yes
EU RoHS compliant	Yes
Ambient temperature range	-20 to +40 °C

## Product Data

Order product name	ESS LED MR16 4.5-50W 36D 830 100-240V
--------------------	---------------------------------------

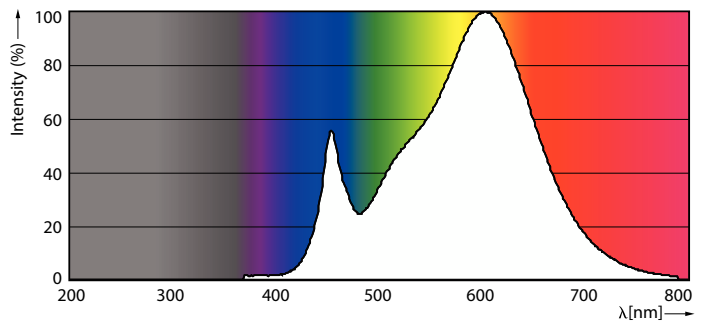
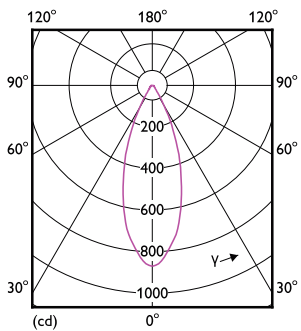
Full product name	ESS LED MR16 4.5-50W 36D 830 100-240V
Full product code	871951428453100
Order code	28453100
Material Nr. (12NC)	929001874068
Numerator - Quantity Per Pack	1
EAN/UPC - Product/Case	8719514284531
Numerator - Packs per outer box	10
EAN/UPC - Case	8719514284548

## Dimensional drawing



Product	D	C
ESS LED MR16 4.5-50W 36D 830 100-240V	50.5 mm	46.5 mm

## Photometric data

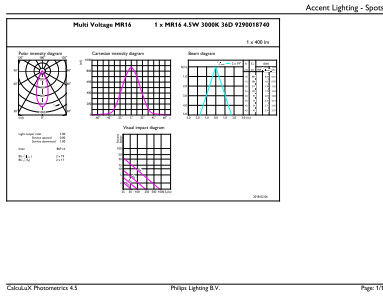


Light Distribution Diagram - ESS LED MR16 4.5-50W 36D 830 100-240V

Spectral Power Distribution Colour - ESS LED MR16 4.5-50W 36D 830 100-240V

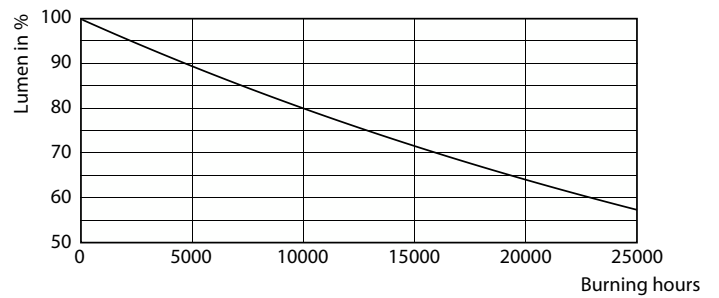
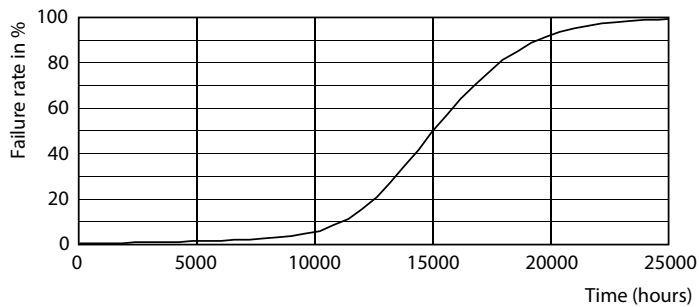
# Essential LED spot MR16

## Photometric data



### Accent Lighting Spots - ESS LED MR16 4.5-50W 36D 830 100-240V

## Lifetime



### 50W GU5-3 MR16

### Lumen Maintenance Diagram - ESS LED MR16 4.5-50W 36D 830 100-240V

