

Essential LED spot MR16

Mechanical and Housing

Bulb Shape	MR16
Net Weight (Piece)	0.030 kg

Approval and Application

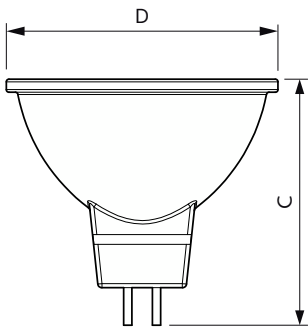
Suitable For Accent Lighting	Yes
EU RoHS compliant	Yes
Ambient temperature range	-20 to +40 °C

Product Data

Order product name	ESS LED MR16 4.5-50W 36D 830 100-240V
--------------------	---------------------------------------

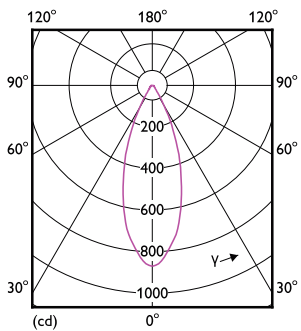
Full product name	ESS LED MR16 4.5-50W 36D 830 100-240V
Full product code	871951428453100
Order code	929001874068
Material Nr. (12NC)	929001874068
Numerator - Quantity Per Pack	1
EAN/UPC - Product/Case	8719514284531
Numerator - Packs per outer box	10
EAN/UPC - Case	8719514284548

Dimensional drawing

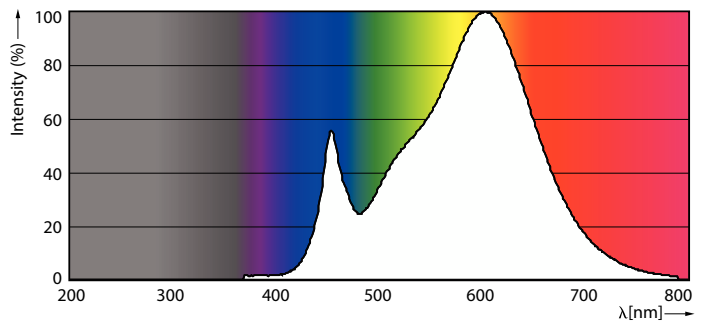


Product	D	C
ESS LED MR16 4.5-50W 36D 830 100-240V	50.5 mm	46.5 mm

Photometric data



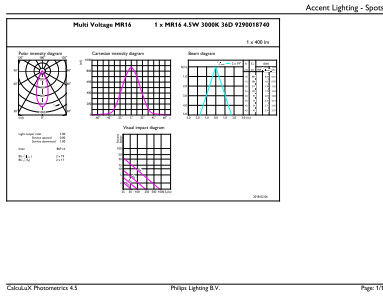
Light Distribution Diagram - ESS LED MR16 4.5-50W 36D 830 100-240V



Spectral Power Distribution Colour - ESS LED MR16 4.5-50W 36D 830 100-240V

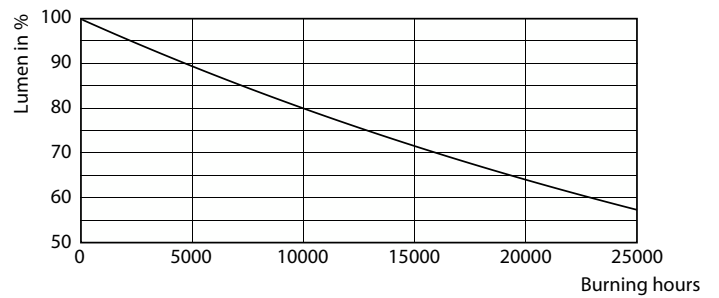
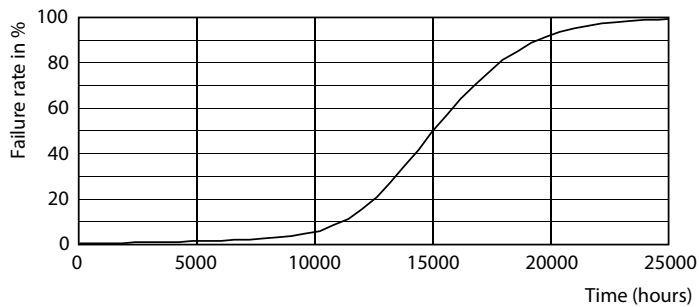
Essential LED spot MR16

Photometric data



Accent Lighting Spots - ESS LED MR16 4.5-50W 36D 830 100-240V

Lifetime



50W GU5-3 MR16

Lumen Maintenance Diagram - ESS LED MR16 4.5-50W 36D 830 100-240V

