



Essential LED spot MR16

ESS LED MR16 4.5-50W 36D 830 SO 100-240V

LEDspot, MR16, 50 W, GU5.3, 3000 K, 400 lm, 15000 hour(s)

LEDspot, MR16, 50 W, GU5.3, 3000 K, 400 lm, 15000 hour(s), 88.00 lm/W

Product data

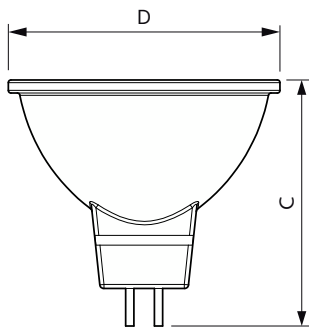
General Information		Power Consumption	
Cap-Base	GU5.3	Power Consumption	4.5 W
Nominal lifetime	15,000 hour(s)	Wattage Equivalent	50 W
Switching Cycle	50,000	Starting Time (Nom)	0.5 s
Lighting Technology	LEDspot	Warm-up time to 60% light	0.5 s
		Power Factor (Fraction)	0.4
		Voltage (Nom)	100-240 V
Light Technical		Temperature	
Color Code	830 [CCT of 3000K]	T-Case Maximum (Nom)	65 °C
Beam Angle (Nom)	36 degree(s)		
Luminous Flux	400 lm	Controls and Dimming	
Luminous Intensity (Nom)	700 cd	Dimmable	No
Color Designation	White (WH)		
Correlated Color Temperature (Nom)	3000 K	Mechanical and Housing	
Luminous Efficacy (rated) (Nom)	88.00 lm/W	Bulb Shape	MR16
Color Consistency	<6	Net Weight (Piece)	0.038 kg
Color rendering index (CRI)	80		
LLMF At End Of Nominal Lifetime (Nom)	70 %	Approval and Application	
Operating and Electrical		Suitable For Accent Lighting	Yes
Line Frequency	50 to 60 Hz	Energy Consumption kWh/1000 h	4.5 kWh
Input Frequency	50 to 60 Hz	EU RoHS compliant	Yes

Essential LED spot MR16

Ambient temperature range	-20 to +40 °C
Application Conditions	
Wireless Technology	Not applicable
Product Data	
Order product name	ESS LED MR16 4.5-50W 36D 830 SO 100-240V
Full product name	ESS LED MR16 4.5-50W 36D 830 SO 100-240V

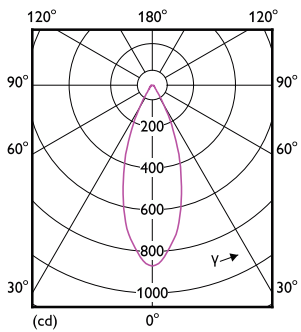
Full product code	871869680919800
Order code	929001874008
Material Nr. (12NC)	929001874008
Numerator - Quantity Per Pack	1
EAN/UPC - Product/Case	8718696809198
Numerator - Packs per outer box	10
EAN/UPC - Case	8718696809204

Dimensional drawing

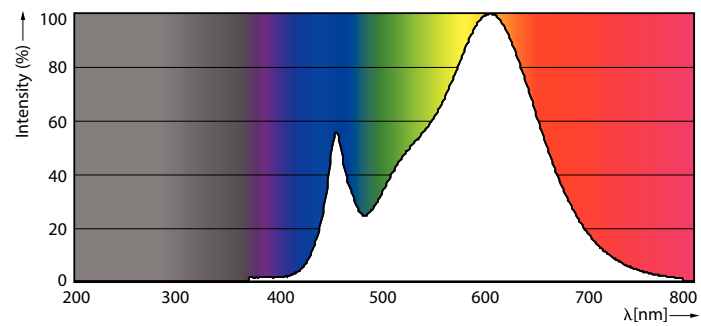


Product	D	C
ESS LED MR16 4.5-50W 36D 830 SO 100-240V	50.5 mm	46.5 mm

Photometric data



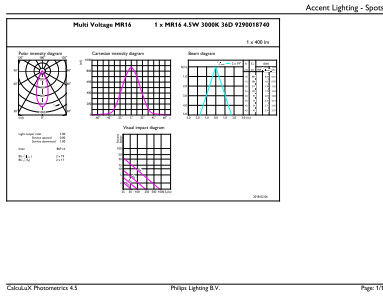
Light Distribution Diagram - ESS LED MR16 4.5-50W 36D 830 SO 100-240V



Spectral Power Distribution Colour - ESS LED MR16 4.5-50W 36D 830 SO 100-240V

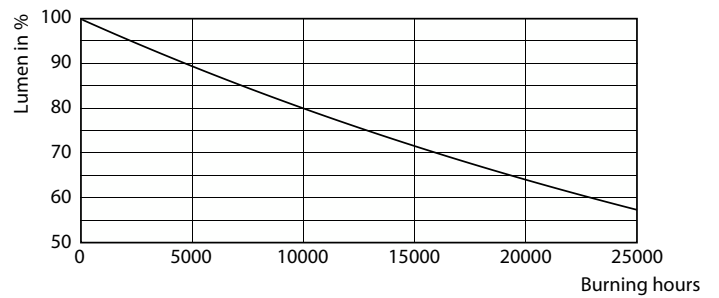
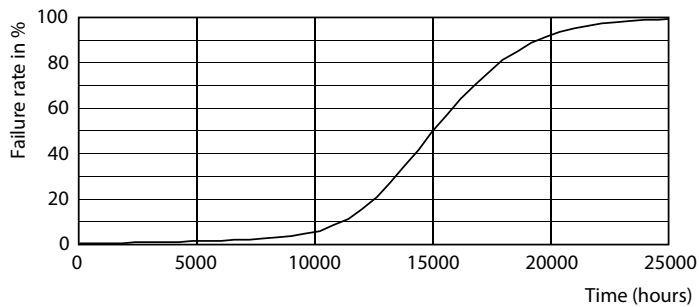
Essential LED spot MR16

Photometric data



Accent Lighting Spots - ESS LED MR16 4.5-50W 36D 830 SO 100-240V

Lifetime



50W GU5-3 MR16

Lumen Maintenance Diagram - ESS LED MR16 4.5-50W 36D 830 SO 100-240V

