



Classic LED spotLV

LEDClassic 5W MR16 840 60D 6pack

LEDspot, MR16, 50 W, GU5.3, 4000 K, 410 lm, 15000 h, Glass

LEDspotLV Classic offers an archetypal halogen-like design while delivering the benefits of LED technology, saving around 85% on energy consumption, minimizing maintenance cost, and much more besides. It is compatible with most existing fixtures with a GU 5.3 holder and is designed as a retrofit replacement for halogen or incandescent spots.

Product data

General Information	
Cap-Base	GU5.3
Nominal lifetime	15,000 h
Switching Cycle	50,000
Rated Lifetime (Hours)	15,000 h
Lighting Technology	LEDspot
Light Technical	
Color Code	840 [CCT of 4000K]
Beam Angle (Nom)	60 degree(s)
Luminous Flux	410 lm
Luminous Intensity (Nom)	420 cd
Color Designation	Cool White (CW)
Correlated Color Temperature (Nom)	4000 K
Luminous Efficacy (rated) (Nom)	82 lm/W
Color Consistency	<6
Color rendering index (CRI)	80
LLMF At End Of Nominal Lifetime (Nom)	70 %

Operating and Electrical	
Line Frequency	- Hz
Input Frequency	- Hz
Power Consumption	5 W
Lamp Current (Nom)	580 mA
Wattage Equivalent	50 W
Starting Time (Nom)	0.5 s
Warm-up time to 60% light	0.5 s
Power Factor (Fraction)	0.6
Voltage (Nom)	ac electronic 12 V

Temperature	
T-Case Maximum (Nom)	65 °C

Controls and Dimming	
Dimmable	No

Mechanical and Housing	
Bulb Finish	Clear
Bulb Material	Glass

Classic LED spotLV

Overall length	46 mm
Overall width	51 mm
Overall height	46 mm
Dimensions (Height x Width x Depth)	46 x 51 x 46 mm
Bulb Shape	MR16
Net Weight (Piece)	0.040 kg

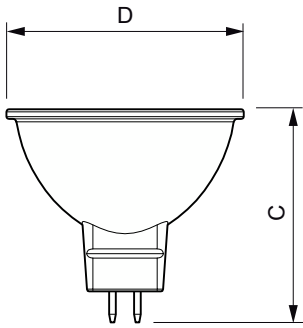
Approval and Application

Suitable For Accent Lighting	Yes
Energy Consumption kWh/1000 h	6 kWh
EU RoHS compliant	Yes
EyeComfort	Yes
LED Innovations	EyeComfort
Ambient temperature range	-20 to +40 °C

Product Data

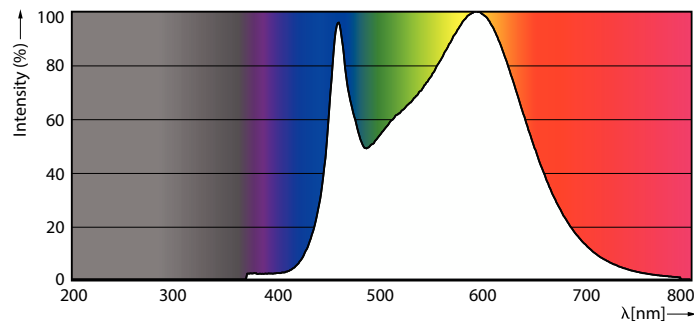
Order product name	LEDClassic 5W MR16 840 60D 6pack
Full product name	LEDClassic 5W MR16 840 60D 6pack
Full product code	871869681919700
Local code description	LED5MR16840NC6
Order code	929001280598
Material Nr. (12NC)	929001280598
Local order code	LED5MR16840NC6
Numerator - Quantity Per Pack	6
EAN/UPC - Product/Case	8718696819197
Numerator - Packs per outer box	4
EAN/UPC - Case	8718696819203

Dimensional drawing

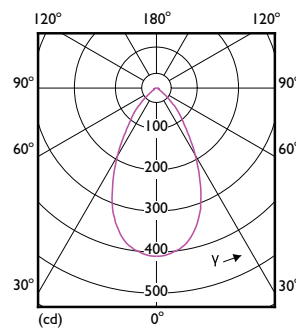


Product	D	C
LEDClassic 5W MR16 840 60D 6pack	50.5 mm	45.5 mm

Photometric data



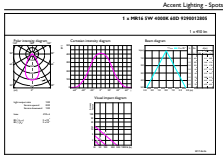
Spectral Power Distribution Colour - LEDClassic 5W MR16 840 60D 6pack



Light Distribution Diagram - LEDClassic 5W MR16 840 60D 6pack

Classic LED spotLV

Photometric data



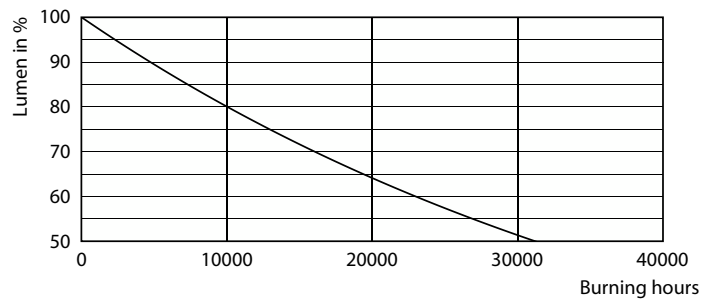
Classic Photometric 01 Page Lighting 01 Page 11

Accent Lighting Spots - LEDClassic 5W MR16 840 60D 6pack

Lifetime



Life Expectancy Diagram



Lumen Maintenance Diagram

