



Classic LED spotLV

LEDspots 5W MR16 840 60D 4PK

LEDspot, MR16, 50 W, GU5.3, 4000 K, 410 lm, 15000 hour(s), Glass

LEDspotLV Classic offers an archetypal halogen-like design while delivering the benefits of LED technology, saving around 85% on energy consumption, minimizing maintenance cost, and much more besides. It is compatible with most existing fixtures with a GU 5.3 holder and is designed as a retrofit replacement for halogen or incandescent spots.

Product data

General Information		LLMF At End Of Nominal Lifetime (Nom)	
Cap-Base	GU5.3		70 %
Nominal lifetime	15,000 hour(s)	Operating and Electrical	
Switching Cycle	50,000	Line Frequency	- Hz
Rated Lifetime (Hours)	15,000 hour(s)	Input Frequency	- Hz
Lighting Technology	LEDspot	Power Consumption	5 W
Light Technical		Lamp Current (Nom)	580 mA
Color Code	840 [CCT of 4000K]	Wattage Equivalent	50 W
Beam Angle (Nom)	60 degree(s)	Starting Time (Nom)	0.5 s
Luminous Flux	410 lm	Warm-up time to 60% light	0.5 s
Luminous Intensity (Nom)	420 cd	Power Factor (Fraction)	0.6
Color Designation	Cool White (CW)	Voltage (Nom)	ac electronic 12 V
Correlated Color Temperature (Nom)	4000 K	Temperature	
Luminous Efficacy (rated) (Nom)	82 lm/W	T-Case Maximum (Nom)	65 °C
Color Consistency	<6		
Color rendering index (CRI)	80		

Classic LED spotLV

Controls and Dimming

Dimmable	No
----------	----

Mechanical and Housing

Bulb Finish	Clear
Bulb Material	Glass
Overall length	46 mm
Overall width	51 mm
Overall height	46 mm
Dimensions (Height x Width x Depth)	46 x 51 x 46 mm
Bulb Shape	MR16
Net Weight (Piece)	0.040 kg

Approval and Application

Suitable For Accent Lighting	Yes
Energy Consumption kWh/1000 h	6 kWh
EU RoHS compliant	Yes
EyeComfort	Yes

LED Innovations	EyeComfort
Ambient temperature range	-20 to +40 °C

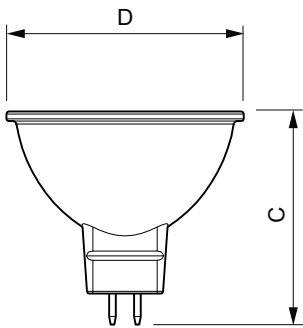
Application Conditions

Wireless Technology	Not applicable
---------------------	----------------

Product Data

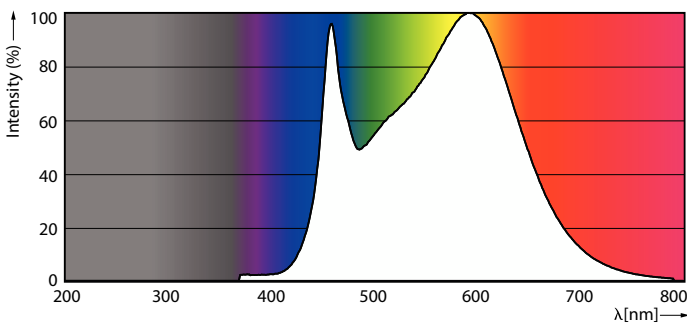
Order product name	LEDspots 5W MR16 840 60D 4PK
Full product name	LEDspots 5W MR16 840 60D 4PK
Full product code	871869967575200
Order code	929001280594
Material Nr. (12NC)	929001280594
Numerator - Quantity Per Pack	4
EAN/UPC - Product/Case	8718699675752
Numerator - Packs per outer box	3
EAN/UPC - Case	8718699675769

Dimensional drawing

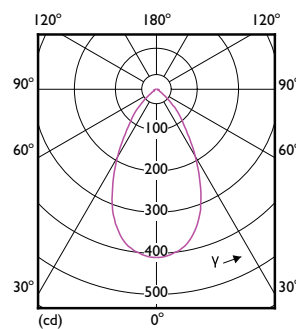


Product	D	C
LEDspots 5W MR16 840 60D 4PK	50.5 mm	45.5 mm

Photometric data



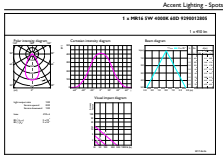
Spectral Power Distribution Colour - LEDspots 5W MR16 840 60D 4PK



Light Distribution Diagram - LEDspots 5W MR16 840 60D 4PK

Classic LED spotLV

Photometric data



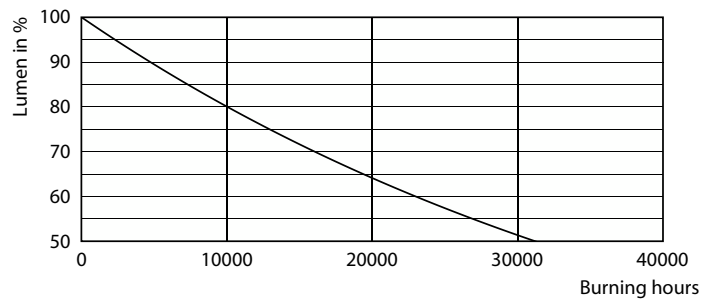
Classic Photometric 01 Page Lighting 01 Page 11

Accent Lighting Spots - LEDspots 5W MR16 840 60D 4PK

Lifetime



Life Expectancy Diagram



Lumen Maintenance Diagram

