



# Classic LED spotLV

## LEDspots 5W MR16 840 60D

LEDspot, MR16, 50 W, GU5.3, 4000 K, 410 lm, 15000 hour(s), Glass

LEDspot, MR16, 50 W, GU5.3, 4000 K, 410 lm, 15000 hour(s), Glass, 82 lm/W

### Product data

| General Information                   |                    | Power Consumption                   |                    |
|---------------------------------------|--------------------|-------------------------------------|--------------------|
| Cap-Base                              | GU5.3              | Power Consumption                   | 5 W                |
| Nominal lifetime                      | 15,000 hour(s)     | Lamp Current (Nom)                  | 580 mA             |
| Switching Cycle                       | 50,000             | Wattage Equivalent                  | 50 W               |
| Rated Lifetime (Hours)                | 15,000 hour(s)     | Starting Time (Nom)                 | 0.5 s              |
| Lighting Technology                   | LEDspot            | Warm-up time to 60% light           | 0.5 s              |
| Light Technical                       |                    | Power Factor (Fraction)             | 0.6                |
| Color Code                            | 840 [CCT of 4000K] | Voltage (Nom)                       | ac electronic 12 V |
| Beam Angle (Nom)                      | 60 degree(s)       | Temperature                         |                    |
| Luminous Flux                         | 410 lm             | T-Case Maximum (Nom)                | 65 °C              |
| Luminous Intensity (Nom)              | 420 cd             | Controls and Dimming                |                    |
| Color Designation                     | Cool White (CW)    | Dimmable                            | No                 |
| Correlated Color Temperature (Nom)    | 4000 K             | Mechanical and Housing              |                    |
| Luminous Efficacy (rated) (Nom)       | 82 lm/W            | Bulb Finish                         | Clear              |
| Color Consistency                     | <6                 | Bulb Material                       | Glass              |
| Color rendering index (CRI)           | 80                 | Overall length                      | 46 mm              |
| LLMF At End Of Nominal Lifetime (Nom) | 70 %               | Overall width                       | 51 mm              |
| Operating and Electrical              |                    | Overall height                      | 46 mm              |
| Line Frequency                        | - Hz               | Dimensions (Height x Width x Depth) | 46 x 51 x 46 mm    |
| Input Frequency                       | - Hz               | Bulb Shape                          | MR16               |

# Classic LED spotLV

|                    |          |
|--------------------|----------|
| Net Weight (Piece) | 0.040 kg |
|--------------------|----------|

## Approval and Application

|                               |               |
|-------------------------------|---------------|
| Suitable For Accent Lighting  | Yes           |
| Energy Consumption kWh/1000 h | 6 kWh         |
| EU RoHS compliant             | Yes           |
| Ambient temperature range     | -20 to +40 °C |

## Application Conditions

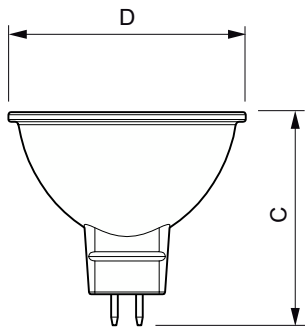
|                     |                |
|---------------------|----------------|
| Wireless Technology | Not applicable |
|---------------------|----------------|

## Product Data

|                    |                          |
|--------------------|--------------------------|
| Order product name | LEDspots 5W MR16 840 60D |
|--------------------|--------------------------|

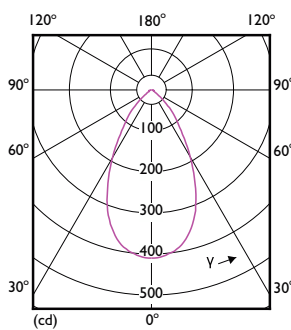
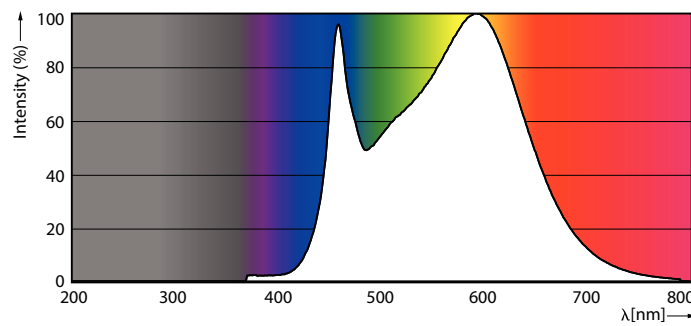
|                                 |                          |
|---------------------------------|--------------------------|
| Full product name               | LEDspots 5W MR16 840 60D |
| Full product code               | 871869967567700          |
| Order code                      | 929001280591             |
| Material Nr. (12NC)             | 929001280591             |
| Numerator - Quantity Per Pack   | 1                        |
| EAN/UPC - Product/Case          | 8718699675677            |
| Numerator - Packs per outer box | 4                        |
| EAN/UPC - Case                  | 8718699675684            |

## Dimensional drawing



| Product                  | D       | C       |
|--------------------------|---------|---------|
| LEDspots 5W MR16 840 60D | 50.5 mm | 45.5 mm |

## Photometric data

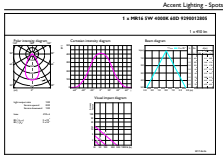


Spectral Power Distribution Colour - LEDspots 5W MR16 840 60D

Light Distribution Diagram - LEDspots 5W MR16 840 60D

# Classic LED spotLV

## Photometric data



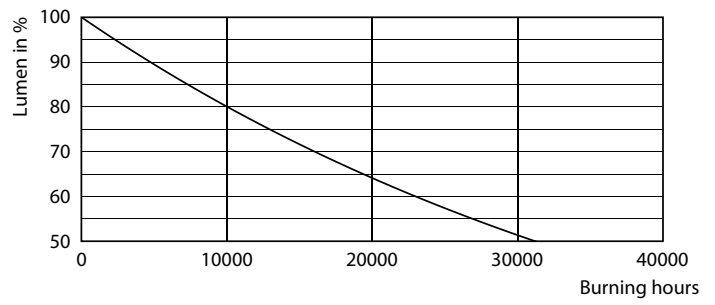
© 2024 Philips Lighting B.V. All rights reserved. Philips Lighting B.V. Page 11

## Accent Lighting Spots - LEDspots 5W MR16 840 60D

### Lifetime



Life Expectancy Diagram



Lumen Maintenance Diagram

