



# Classic LED spotLV

## LEDspots 5W MR16 840 60D

LEDspot, MR16, 50 W, GU5.3, 4000 K, 410 lm, 15000 h, Glass

LEDspot, MR16, 50 W, GU5.3, 4000 K, 410 lm, 15000 h, Glass, 82 lm/W

### Product data

General Information		Lamp Current (Nom)	
Cap-Base	GU5.3		580 mA
Nominal lifetime	15,000 h	Wattage Equivalent	50 W
Switching Cycle	50,000	Starting Time (Nom)	0.5 s
Rated Lifetime (Hours)	15,000 h	Warm-up time to 60% light	0.5 s
Lighting Technology	LEDspot	Power Factor (Fraction)	0.6
		Voltage (Nom)	ac electronic 12 V
Light Technical		Temperature	
Color Code	840 [CCT of 4000K]	T-Case Maximum (Nom)	65 °C
Beam Angle (Nom)	60 degree(s)		
Luminous Flux	410 lm	Controls and Dimming	
Luminous Intensity (Nom)	420 cd	Dimmable	No
Color Designation	Cool White (CW)		
Correlated Color Temperature (Nom)	4000 K	Mechanical and Housing	
Luminous Efficacy (rated) (Nom)	82 lm/W	Bulb Finish	Clear
Color Consistency	<6	Bulb Material	Glass
Color rendering index (CRI)	80	Overall length	46 mm
LLMF At End Of Nominal Lifetime (Nom)	70 %	Overall width	51 mm
		Overall height	46 mm
		Dimensions (Height x Width x Depth)	46 x 51 x 46 mm
Operating and Electrical		Bulb Shape	MR16
Line Frequency	- Hz	Net Weight (Piece)	0.040 kg
Input Frequency	- Hz		
Power Consumption	5 W		

# Classic LED spotLV

## Approval and Application

Suitable For Accent Lighting	Yes
Energy Consumption kWh/1000 h	6 kWh
EU RoHS compliant	Yes
Ambient temperature range	-20 to +40 °C

## Application Conditions

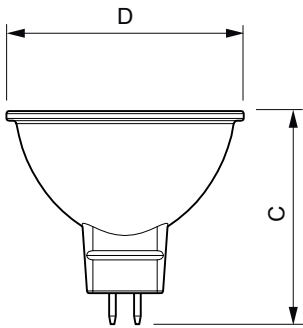
Wireless Technology	Not applicable
---------------------	----------------

## Product Data

Order product name	LEDspots 5W MR16 840 60D
Full product name	LEDspots 5W MR16 840 60D

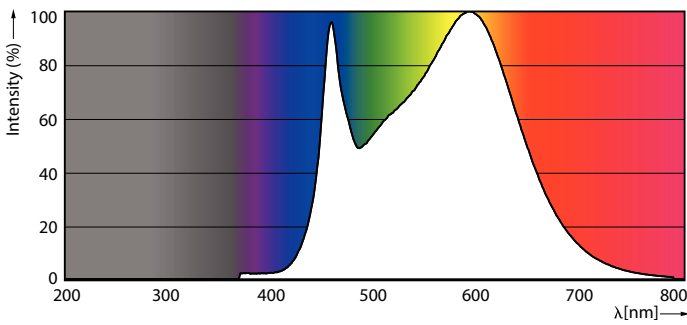
Full product code	871869967567700
Local code description	LED5MR16840NC1
Order code	929001280591
Material Nr. (12NC)	929001280591
Local order code	LED5MR16840NC1
Numerator - Quantity Per Pack	1
EAN/UPC - Product/Case	8718699675677
Numerator - Packs per outer box	4
EAN/UPC - Case	8718699675684

## Dimensional drawing

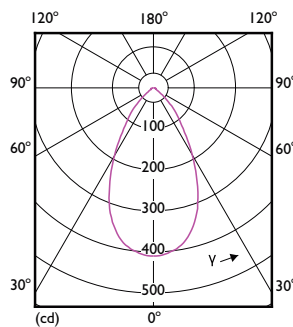


Product	D	C
LEDspots 5W MR16 840 60D	50.5 mm	45.5 mm

## Photometric data



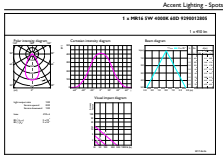
Spectral Power Distribution Colour - LEDspots 5W MR16 840 60D



Light Distribution Diagram - LEDspots 5W MR16 840 60D

# Classic LED spotLV

## Photometric data



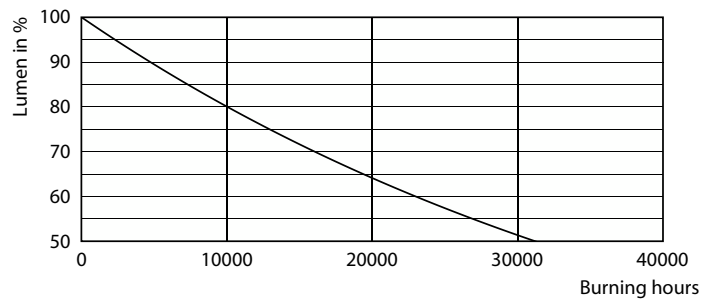
Calculat Photometric CA Page Lighting LV Page 11

### Accent Lighting Spots - LEDspots 5W MR16 840 60D

## Lifetime



Life Expectancy Diagram



Lumen Maintenance Diagram

