



# Classic LED spotLV

## LEDspots 5W MR16 840 60D

LEDspot, MR16, 50 W, GU5.3, 4000 K, 410 lm, 15000 hour(s), Glass

LEDspotLV Classic offers an archetypal halogen-like design while delivering the benefits of LED technology, saving around 85% on energy consumption, minimizing maintenance cost, and much more besides. It is compatible with most existing fixtures with a GU 5.3 holder and is designed as a retrofit replacement for halogen or incandescent spots.

### Product data

General Information		LLMF At End Of Nominal Lifetime (Nom)	
Cap-Base	GU5.3		70 %
Nominal lifetime	15,000 hour(s)	Operating and Electrical	
Switching Cycle	50,000	Line Frequency	- Hz
Rated Lifetime (Hours)	15,000 hour(s)	Input Frequency	- Hz
Lighting Technology	LEDspot	Power Consumption	5 W
Light Technical		Lamp Current (Nom)	580 mA
Color Code	840 [CCT of 4000K]	Wattage Equivalent	50 W
Beam Angle (Nom)	60 degree(s)	Starting Time (Nom)	0.5 s
Luminous Flux	410 lm	Warm-up time to 60% light	0.5 s
Luminous Intensity (Nom)	420 cd	Power Factor (Fraction)	0.6
Color Designation	Cool White (CW)	Voltage (Nom)	ac electronic 12 V
Correlated Color Temperature (Nom)	4000 K	Temperature	
Luminous Efficacy (rated) (Nom)	82 lm/W	T-Case Maximum (Nom)	65 °C
Color Consistency	<6		
Color rendering index (CRI)	80		

# Classic LED spotLV

## Controls and Dimming

Dimmable	No
----------	----

## Mechanical and Housing

Bulb Finish	Clear
Bulb Material	Glass
Overall length	46 mm
Overall width	51 mm
Overall height	46 mm
Dimensions (Height x Width x Depth)	46 x 51 x 46 mm
Bulb Shape	MR16
Net Weight (Piece)	0.040 kg

## Approval and Application

Suitable For Accent Lighting	Yes
Energy Consumption kWh/1000 h	6 kWh
EU RoHS compliant	Yes

Ambient temperature range	-20 to +40 °C
---------------------------	---------------

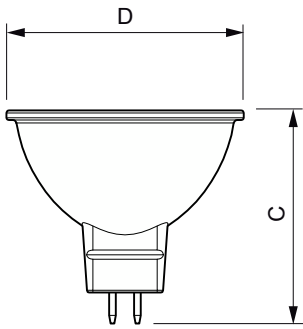
## Application Conditions

Wireless Technology	Not applicable
---------------------	----------------

## Product Data

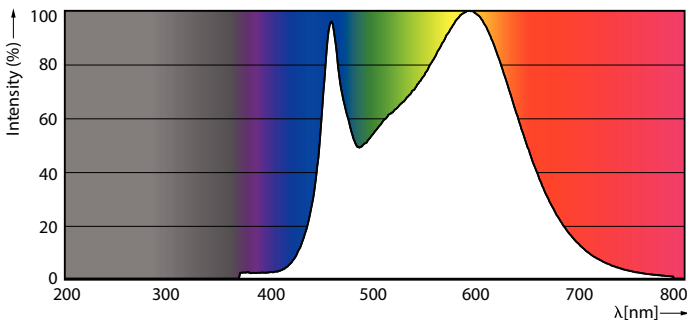
Order product name	LEDspots 5W MR16 840 60D
Full product name	LEDspots 5W MR16 840 60D
Full product code	871869967567700
Order code	929001280591
Material Nr. (12NC)	929001280591
Numerator - Quantity Per Pack	1
EAN/UPC - Product/Case	8718699675677
Numerator - Packs per outer box	4
EAN/UPC - Case	8718699675684

## Dimensional drawing

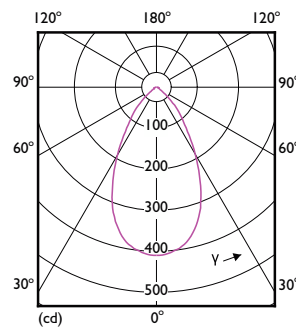


Product	D	C
LEDspots 5W MR16 840 60D	50.5 mm	45.5 mm

## Photometric data



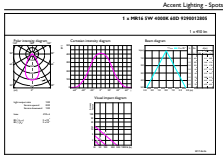
Spectral Power Distribution Colour - LEDspots 5W MR16 840 60D



Light Distribution Diagram - LEDspots 5W MR16 840 60D

# Classic LED spotLV

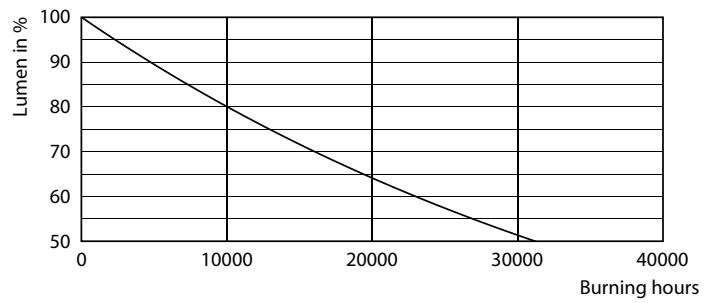
## Photometric data



Classic Photometric Data Page Lighting LV Page 11

### Accent Lighting Spots - LEDspots 5W MR16 840 60D

## Lifetime



### Life Expectancy Diagram

### Lumen Maintenance Diagram

