



Classic LED spotLV

LEDspots 5W MR16 840 60D 2pk

LEDspot, MR16, 50 W, GU5.3, 4000 K, 410 lm, 15000 hour(s), Glass

LEDspotLV Classic offers an archetypal halogen-like design while delivering the benefits of LED technology, saving around 85% on energy consumption, minimizing maintenance cost, and much more besides. It is compatible with most existing fixtures with a GU 5.3 holder and is designed as a retrofit replacement for halogen or incandescent spots.

Product data

General Information	
Cap-Base	GU5.3
Nominal lifetime	15,000 hour(s)
Switching Cycle	50,000
Rated Lifetime (Hours)	15,000 hour(s)
Lighting Technology	LEDspot
Light Technical	
Color Code	840 [CCT of 4000K]
Color Code	840 [CCT of 4000K]
Beam Angle (Nom)	60 degree(s)
Luminous Flux	410 lm
Luminous Intensity (Nom)	420 cd
Color Designation	Cool White (CW)
Correlated Color Temperature (Nom)	4000 K
Luminous Efficacy (rated) (Nom)	82 lm/W
Color Consistency	<6
Color rendering index (CRI)	80

LLMF At End Of Nominal Lifetime (Nom)	70 %
Operating and Electrical	
Line Frequency	- Hz
Input Frequency	- Hz
Power Consumption	5 W
Lamp Current (Nom)	580 mA
Wattage Equivalent	50 W
Starting Time (Nom)	0.5 s
Warm-up time to 60% light	0.5 s
Power Factor (Fraction)	0.6
Voltage (Nom)	ac electronic 12 V
Temperature	
T-Case Maximum (Nom)	65 °C

Classic LED spotLV

Controls and Dimming

Dimmable	No
----------	----

Mechanical and Housing

Bulb Finish	Clear
Bulb Material	Glass
Overall length	46 mm
Overall width	51 mm
Overall height	46 mm
Dimensions (Height x Width x Depth)	46 x 51 x 46 mm
Bulb Shape	MR16
Net Weight (Piece)	0.040 kg

Approval and Application

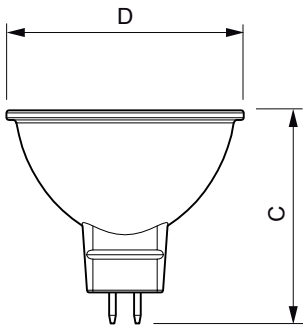
Suitable For Accent Lighting	Yes
Energy Consumption kWh/1000 h	6 kWh

EU RoHS compliant	Yes
Ambient temperature range	-20 to +40 °C

Product Data

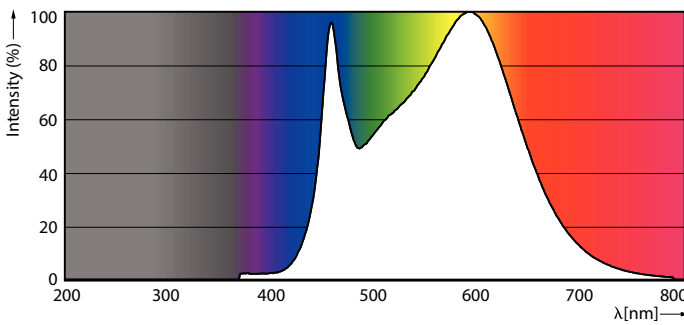
Order product name	LEDspots 5W MR16 840 60D 2pk
Full product name	LEDspots 5W MR16 840 60D 2pk
Full product code	871951432764100
Order code	929001280576
Material Nr. (12NC)	929001280576
Numerator - Quantity Per Pack	2
EAN/UPC - Product/Case	8719514327641
Numerator - Packs per outer box	4
EAN/UPC - Case	8719514327658

Dimensional drawing

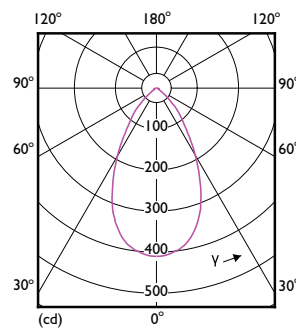


Product	D	C
LEDspots 5W MR16 840 60D 2pk	50.5 mm	45.5 mm

Photometric data



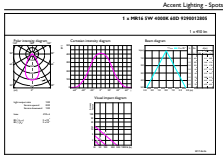
Spectral Power Distribution Colour - LEDspots 5W MR16 840 60D 2pk



Light Distribution Diagram - LEDspots 5W MR16 840 60D 2pk

Classic LED spotLV

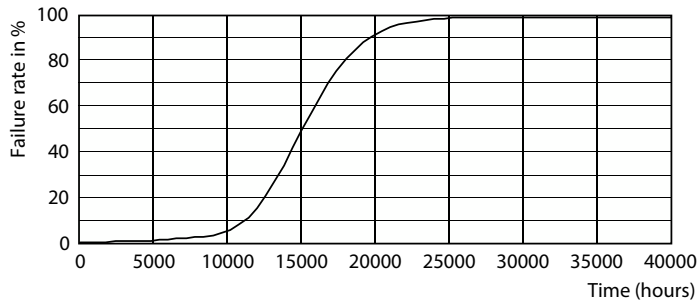
Photometric data



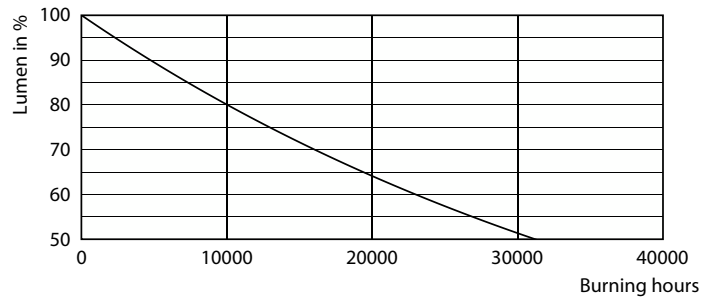
Classic Photometric Data Page Lighting LV Page 11

Accent Lighting Spots - LEDspots 5W MR16 840 60D 2pk

Lifetime



Life Expectancy Diagram



Lumen Maintenance Diagram

